

# Series T pressure microregulators

Ports G1/8 and G1/4

- » Extremely lightweight
- » Compact
- » In-line or console mounting



Series T pressure regulators are available with G1/8 and G1/4 brass connections. A self-relieving piston has been incorporated into the design to allow decreasing adjustments. Non-relieving versions are also available.

All models are equipped with a valve enabling fast draining (VS) which is useful when a regulator should be inserted between the valve and cylinder (or capacity) without any negative influence on the exhaust.

## GENERAL DATA

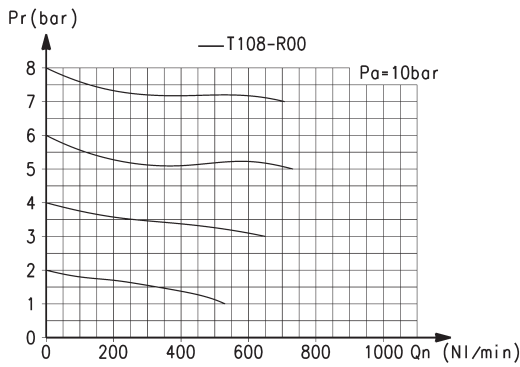
<b>Construction</b>	piston
<b>Materials</b>	technopolymer body and piston, stainless steel spring, brass inserts, NBR O-ring and poppet
<b>Ports</b>	G1/8 - G1/4
<b>Weight</b>	g 95
<b>Pressure gauge ports</b>	G1/8
<b>Mounting</b>	in-line or panel mounting (in any position)
<b>Operating temperature</b>	-5°C ÷ 50°C (with the dew point of the fluid lower than 2°C at the min. working temperature)
<b>Inlet pressure</b>	0 ÷ 12 bar
<b>Outlet pressure</b>	0, 5 ÷ 10 bar
<b>Nominal flow</b>	see graphs
<b>Secondary pressure relieving</b>	standard
<b>Type of fluid</b>	air and water. Special versions for other types of gas are available upon request.

**CODING EXAMPLE**

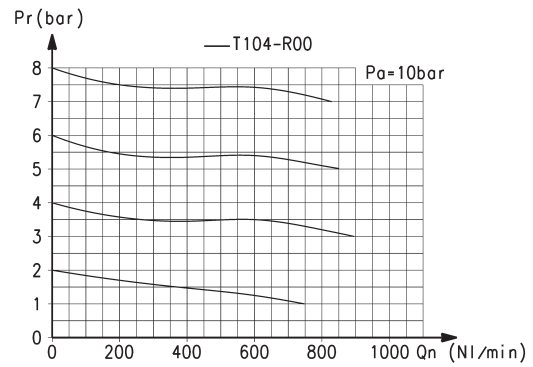
<b>T</b>	<b>1</b>	<b>08</b>	<b>-</b>	<b>R</b>	<b>0</b>	<b>0</b>
----------	----------	-----------	----------	----------	----------	----------

<b>T</b>	SERIES
<b>1</b>	SIZE
<b>08</b>	PORTS: 08 = G1/8 04 = G1/4
<b>R</b>	REGULATOR
<b>0</b>	OPERATING PRESSURE: 0 = 0,5 ÷ 10 1 = 0 ÷ 4 2 = 0 ÷ 2 7 = 0 ÷ 7 (standard)
<b>0</b>	DESIGN TYPE: 0 = self-relieving 1 = non relieving

**FLOW DIAGRAMS**

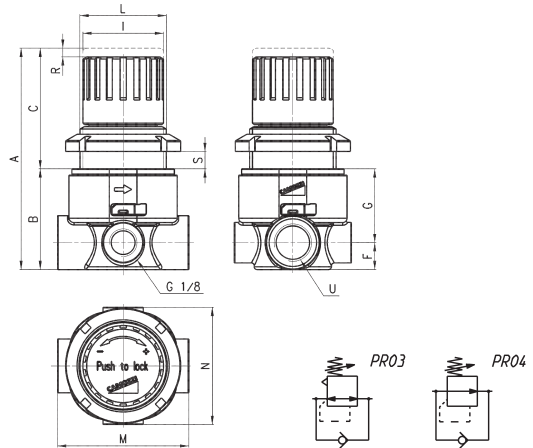


Flow diagram for model: T108-R00  
Pa = Inlet pressure  
Pr = Regulated pressure  
Qn = Flow



Flow diagram for model: T104-R00  
Pa = Inlet pressure  
Pr = Regulated pressure  
Qn = Flow

**Series T pressure microregulator**



DIMENSIONS												
Mod.	A	B	C	F	G	I	L	M	N	R	S	U
<b>T108-R00</b>	77	35	42	9.5	25.5	28	M30X1.5	46	41	3	7	G1/8
<b>T104-R00</b>	77	35	42	9.5	25.5	28	M30X1.5	46	41	3	7	G1/4

PR03 = regulator with relieving and by-pass valve

PR04 = regulator without relieving and with by-pass valve