

ACCESSORIES FOR SERIES MD



Threaded cartridges



Integrated cartridges with super-rapid fitting



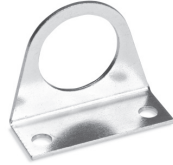
Intermediate joining cartridge Mod. MD1-C



Screws for wall mounting Mod. MD1-D



Rear bracket Mod. MD1-ST/1



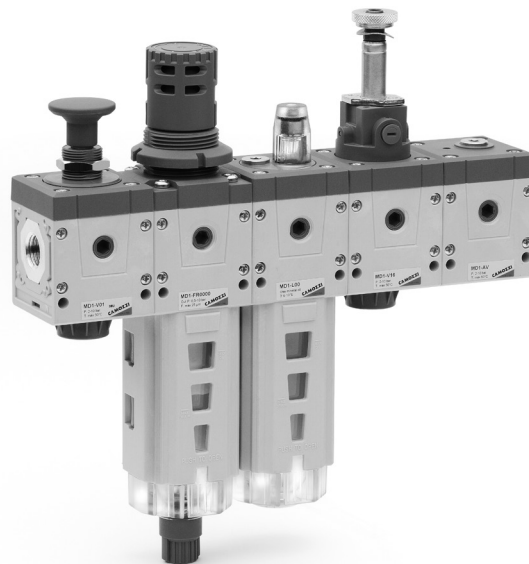
Mounting bracket Mod. C114-ST



Mounting bracket Mod. C114-ST/1

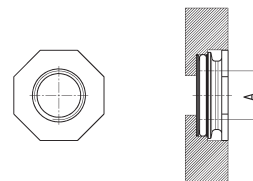


Mounting bracket Mod. C114-ST/2



Threaded cartridges Mod. MD1-A-...


The kit is supplied with:
 2x nickel-plated threaded cartridges
 4x special white zinc-plated screws Ø4,5 TC/RC


DIMENSIONS

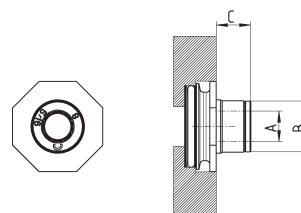
Mod.	A
MD1-A-1/8	G1/8
MD1-A-1/4	G1/4
MD1-A-3/8	G3/8

3

TREATMENT

Integrated cartridges with super-rapid fitting Mod. MD1-A-...

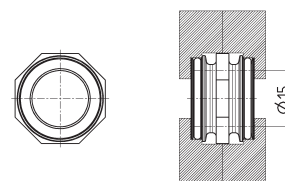

The kit is supplied with:
 2x integrated nickel-plated cartridges with super-rapid fitting
 4x special white zinc-plated screws Ø4,5 TC/RC


DIMENSIONS

Mod.	A	B	C
MD1-A-6	Ø6	12.7	8.5
MD1-A-8	Ø8	14.2	10
MD1-A-10	Ø10	16.5	12.5

Intermediate joining cartridge Mod. MD1-C


The kit is supplied with:
 1x intermediate joining cartridge
 4x special white zinc-plated screws Ø4,5 TC/RC



Mod.

MD1-C
3/3.49.02

New

Screws for wall mounting Mod. MD1-D

The kit is supplied with:
2x white zinc-plated screws M4x50

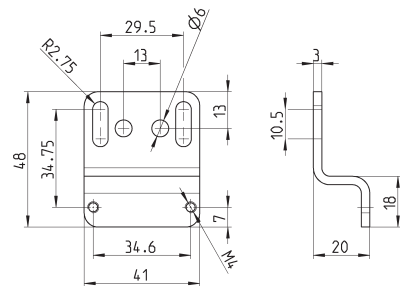


Mod.
MD1-D

New

Rear bracket Mod. MD1-ST/1

The kit is supplied with:
1x zinc-plated bracket
2x white zinc-plated screws M4x50

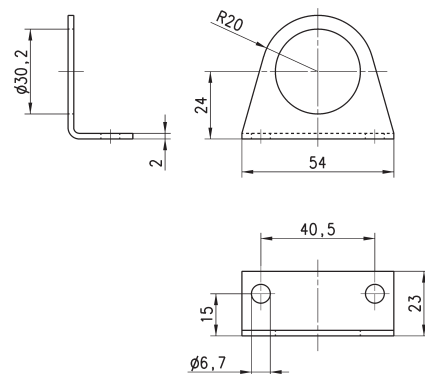
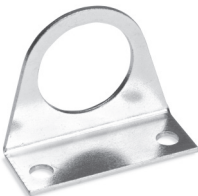


Mod.
MD1-ST/1

Mounting bracket Mod. C114-ST

For regulators and filter-regulators (G1/4 - G1/8)

The kit is supplied with:
1x zinc-plated steel bracket



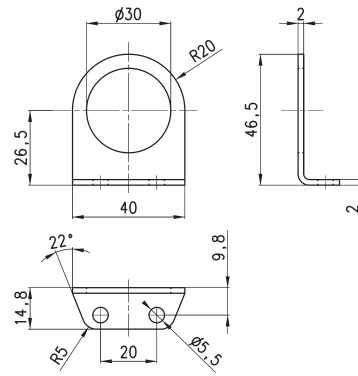
Mod.
C114-ST



Mounting bracket Mod. C114-ST/1

For regulators and filter-regulators
(G1/4 - G1/8)

The kit is supplied with:
1x zinc-plated steel bracket



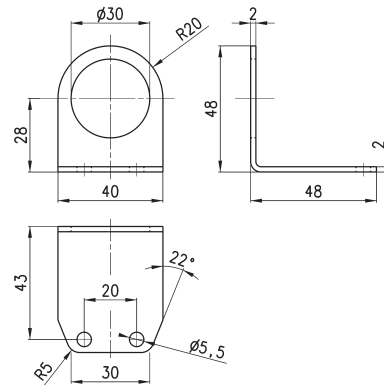
Mod.
C114-ST/1



Mounting bracket Mod. C114-ST/2

For regulators and filter-regulators
(G1/4 - G1/8)

The kit is supplied with:
1x zinc-plated steel bracket



Mod.
C114-ST/2