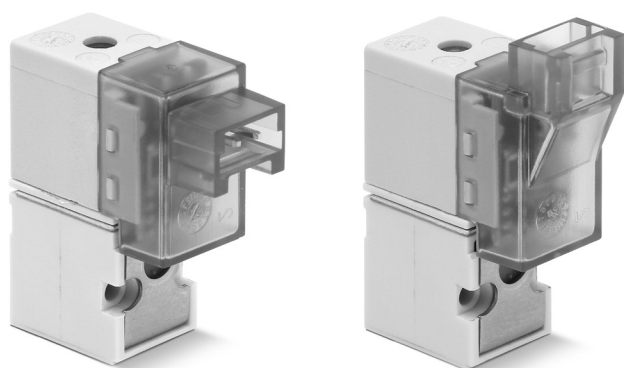


# Series KN High Flow directly operated solenoid valves

3/2-way - Normally Closed (NC)



- » Low energy consumption
- » Compact design
- » High Flow
- » ISO 15218 Interface

Thanks to its low energy consumption and to its compact design, Series KN High Flow solenoid valve can be used in industrial and scientific applications.

Series KN High Flow directly operated solenoid valves are available as 3/2-way NC version.

## GENERAL DATA

### TECHNICAL FEATURES

<b>Function</b>	3/2 NC
<b>Operation</b>	direct acting poppet type
<b>Pneumatic connections</b>	on subbase with ISO 15218 interface by means of screws
<b>Nominal diameter</b>	1.1 mm
<b>Nominal flow</b>	25 NI/min (air @ 6 bar ΔP 1 bar)
<b>Flow coefficient kv (l/min)</b>	0.39
<b>Operating pressure</b>	0 ÷ 3 ... 7 bar
<b>Operating temperature</b>	0°C + 50°C
<b>Media</b>	filtered compressed air, unlubricated, according to ISO 8573-1 class 3.4.3, inert gas
<b>Response time</b>	ON <10 msec - OFF <10 msec
<b>Manual override</b>	monostable button
<b>Installation</b>	in any position

### MATERIALS IN CONTACT WITH THE MEDIUM

<b>Body</b>	PBT technopolymer
<b>Seals</b>	FKM, NBR (FKM on demand)
<b>Internal parts</b>	stainless steel

### ELECTRICAL FEATURES

<b>Voltage</b>	24 V DC - 12 V DC - other voltages on demand
<b>Voltage tolerance</b>	4 W (inrush), 1 W (holding)
<b>Power consumption</b>	ED 100%
<b>Duty cycle</b>	connector
<b>Electrical connection</b>	IP50
<b>Protection class</b>	

Special versions available on demand

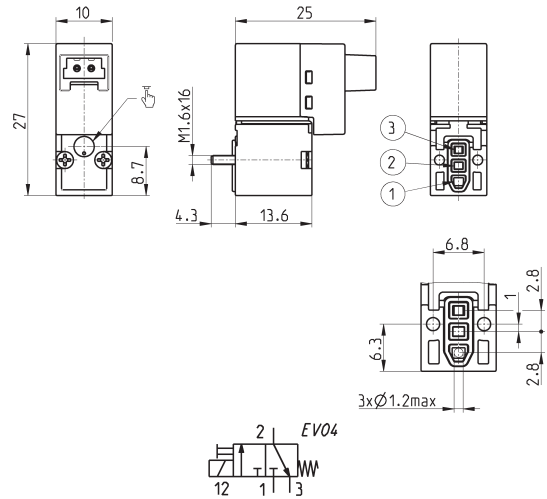
**CODING EXAMPLE**

<b>KN</b>	<b>0</b>	<b>00</b>	<b>-</b>	<b>3</b>	<b>0</b>	<b>5</b>	<b>-</b>	<b>F</b>	<b>1</b>	<b>8</b>	
-----------	----------	-----------	----------	----------	----------	----------	----------	----------	----------	----------	--

<b>KN</b>	SERIES
<b>0</b>	BODY DESIGN: 0 = single valve
<b>00</b>	NUMBER OF POSITIONS: 00 = interface
<b>3</b>	NUMBER OF WAYS - FUNCTIONS: 3 = 3/2-way NC
<b>0</b>	PORTS: 0 = single valve
<b>5</b>	NOMINAL DIAMETER / MAX PRESSURE: 5 = ø 1.1      7 bar 6 = ø 1.1      3 bar
<b>F</b>	MATERIALS: F = PBT body, FKM poppet seal, NBR other seals (FKM upon request)
<b>1</b>	ELECTRICAL CONNECTION: 1 = 90° connection with protection and led B = in-line connection with protection and led
<b>8</b>	SOLENOID VOLTAGE: 2 = 12V DC 8 = 24V DC (4W) inrush (1W holding)
	FIXING: = with screws for plastics(standard) M = with screws for metal

**3/2-way NC solenoid valve - 90° electrical connection**

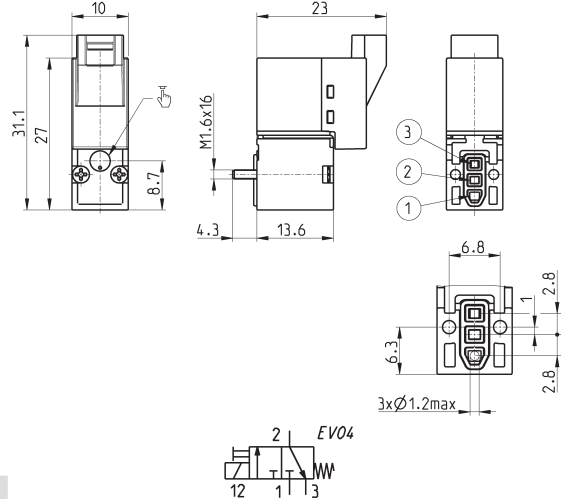

Supplied with:  
 1x interface seal  
 2x screws M1.6x16 UNI 10227  
 (fixing for plastics, standard)  
 or  
 2x screws M1.6x16 UNI 7687  
 (fixing for metal, M option)



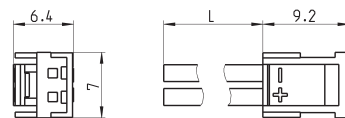
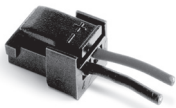
Mod.	Orifice Ø (mm)	kv (l/min)	Qn (NI/min)	Pressure min-max (bar)
<b>KN000-305-F18</b>	1.1	0.39	25	3 + 7
<b>KN000-306-F18</b>	1.1	0.39	-	0 + 3

**3/2-way NC solenoid valve - in-line electrical connection**


Supplied with:  
 1x interface seal  
 2x screws M1.6x16 UNI 10227  
 (fixing for plastics, standard)  
 or  
 2x screws M1.6x16 UNI 7687  
 (fixing for metal, M option)



Mod.	Orifice Ø (mm)	kv (l/min)	Qn (NI/min)	Pressure min-max (bar)
<b>KN000-305-FB8</b>	1.1	0.39	25	3 + 7
<b>KN000-306-FB8</b>	1.1	0.39	-	0 + 3

**Connector Mod. 121-8..**


Mod.	description	colour	L = cable length (mm)	cable holding
<b>121-803</b>	crimped cable	black	300	crimping
<b>121-806</b>	crimped cable	black	600	crimping
<b>121-810</b>	crimped cable	black	1000	crimping
<b>121-830</b>	crimped cable	black	3000	crimping