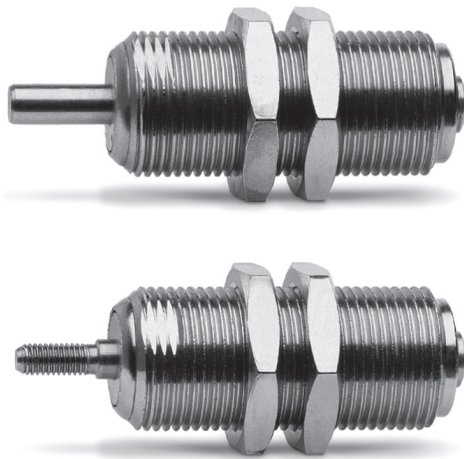


# Series 14 compact mini-cylinders

Single-acting

Bores  $\varnothing$  6, 10, 16 mm and strokes 5, 10, 15 mm

With super-rapid fitting  $\varnothing$  4 and M5 port



- » Compact design
- » With threaded or non threaded piston rod
- » Threaded body

**Series 14 single-acting compact mini-cylinders have been designed for installation in very small spaces. The design allows the cylinders to be inserted into threaded blocks incorporated in the machine.**

All the minicylinders are supplied with a super-rapid fitting incorporated in a tube  $\varnothing$  4 or with a M5 thread. They are available in two versions with either a threaded or a non threaded piston rod.


## GENERAL DATA

<b>Type of construction</b>	compact, non magnetic
<b>Operation</b>	single-acting
<b>Materials</b>	body = brass seals = NBR other = stainless steel
<b>Operating pressure</b>	P. min 2,5 bar - P. max 8 bar
<b>Operating temperature</b>	0°C + 80°C (with dry air - 20°C)
<b>Fluid</b>	clean air, without lubrication. If lubricated air is used, it is recommended to use oil ISOVG32. Once applied the lubrication should never be interrupted.
<b>Bore</b>	$\varnothing$ 6, 10, 16
<b>Stroke</b>	see table
<b>Mounting method</b>	by means of threaded body

CODING EXAMPLE						
<b>14</b>	<b>N</b>	<b>1</b>	<b>A</b>	<b>06</b>	<b>A</b>	<b>05</b>
<b>14</b>	SERIES					
<b>N</b>	VERSION N = non-magnetic					
<b>1</b>	OPERATION 1 = single-acting			PNEUMATIC SYMBOL CS01		
<b>A</b>	TYPE OF CONNECTION A = tube Ø 4 M = thread M5					
<b>06</b>	BORE 06 = 6 mm - 10 = 10 mm - 16 = 16 mm					
<b>A</b>	TYPE OF DESIGN A = non-threaded smooth piston rod B = threaded piston rod					
<b>05</b>	STROKE 05 = 5 mm - 10 = 10 mm - 15 = 15 mm					

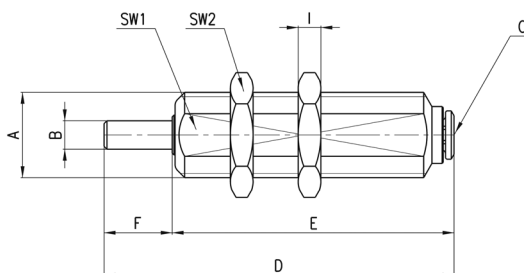
**PNEUMATIC SYMBOLS**

The pneumatic symbols which have been indicated in the CODING EXAMPLE are shown below.



**Compact minicylinders with non threaded piston rod Mod. 14N1A**

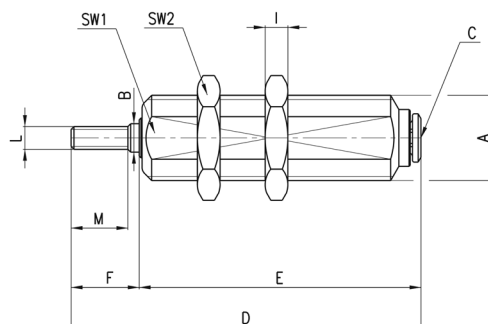
Super-rapid fitting incorporated


**DIMENSIONS**

Mod.	Ø	STROKE	A	B	C	D	E	F	SW1	SW2	I
14N1A06A05	6	5	M10x1	3	4/2	34	29	5	9	12	3
14N1A06A10	6	10	M10x1	3	4/2	42	37	5	9	12	3
14N1A06A15	6	15	M10x1	3	4/2	47	42	5	9	12	3
14N1A10A05	10	5	M15x1,5	5	4/2	50	38	12	13	19	4
14N1A10A10	10	10	M15x1,5	5	4/2	57	45	12	13	19	4
14N1A10A15	10	15	M15x1,5	5	4/2	62	50	12	13	19	4
14N1A16A05	16	5	M22x1,5	6	4/2	53,5	39,5	14	20	27	5
14N1A16A10	16	10	M22x1,5	6	4/2	62	48	14	20	27	5
14N1A16A15	16	15	M22x1,5	6	4/2	67	53	14	20	27	5

**Compact minicylinders with threaded piston rod Mod. 14N1A**

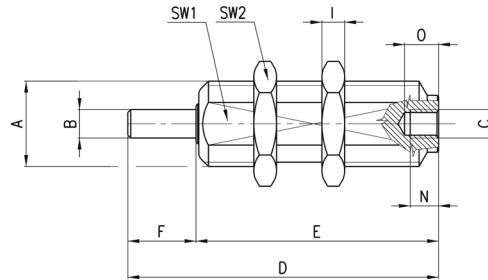
Super-rapid fitting incorporated


**DIMENSIONS**

Mod.	Ø	STROKE	A	B	C	D	E	F	SW1	SW2	I	L	M
14N1A06B05	6	5	M10x1	3	4/2	38	29	9	9	12	3	M3x0,5	7
14N1A06B10	6	10	M10x1	3	4/2	46	37	9	9	12	3	M3x0,5	7
14N1A06B15	6	15	M10x1	3	4/2	51	42	9	9	12	3	M3x0,5	7
14N1A10B05	10	5	M15x1,5	5	4/2	50	38	12	13	19	4	M4x0,7	10
14N1A10B10	10	10	M15x1,5	5	4/2	57	45	12	13	19	4	M4x0,7	10
14N1A10B15	10	15	M15x1,5	5	4/2	62	50	12	13	19	4	M4x0,7	10
14N1A16B05	16	5	M22x1,5	6	4/2	53,5	39,5	14	20	27	5	M5x0,8	12
14N1A16B10	16	10	M22x1,5	6	4/2	62	48	14	20	27	5	M5x0,8	12
14N1A16B15	16	15	M22x1,5	6	4/2	67	53	14	20	27	5	M5x0,8	12

Compact minicylinders with non threaded piston rod Mod. 14N1M

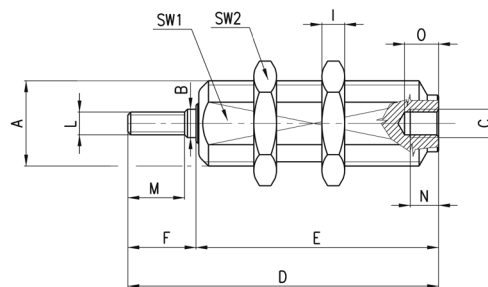
Threaded port



DIMENSIONS													
Mod.	Ø	STROKE	A	B	C	D	E	F	SW1	SW2	I	N	O
14N1M06A05	6	5	M10x1	3	M5	28	23	5	9	12	3	5	6
14N1M06A10	6	10	M10x1	3	M5	36	31	5	9	12	3	5	6
14N1M06A15	6	15	M10x1	3	M5	41	36	5	9	12	3	5	6
14N1M10A05	10	5	M15x1,5	5	M5	43	31	12	13	19	4	5	6
14N1M10A10	10	10	M15x1,5	5	M5	50	38	12	13	19	4	5	6
14N1M10A15	10	15	M15x1,5	5	M5	55	43	12	13	19	4	5	6
14N1M16A05	16	5	M22x1,5	6	M5	46,5	32,5	14	20	27	5	5	6
14N1M16A10	16	10	M22x1,5	6	M5	55,5	41,5	14	20	27	5	5	6
14N1M16A15	16	15	M22x1,5	6	M5	60,5	46,5	14	20	27	5	5	6

Compact minicylinders with threaded piston rod Mod. 14N1M

Threaded port



DIMENSIONS															
Mod.	Ø	STROKE	A	B	C	D	E	F	SW1	SW2	I	L	M	N	O
14N1M06B05	6	5	M10x1	3	M5	32	23	9	9	12	3	M3x0,5	7	5	6
14N1M06B10	6	10	M10x1	3	M5	40	31	9	9	12	3	M3x0,5	7	5	6
14N1M06B15	6	15	M10x1	3	M5	45	36	9	9	12	3	M3x0,5	7	5	6
14N1M10B05	10	5	M15x1,5	5	M5	43	31	12	13	19	4	M4x0,7	10	5	6
14N1M10B10	10	10	M15x1,5	5	M5	50	38	12	13	19	4	M4x0,7	10	5	6
14N1M10B15	10	15	M15x1,5	5	M5	55	43	12	13	19	4	M4x0,7	10	5	6
14N1M16B05	16	5	M22x1,5	6	M5	46,5	32,5	14	20	27	5	M5x0,8	12	5	6
14N1M16B10	16	10	M22x1,5	6	M5	55,5	41,5	14	20	27	5	M5x0,8	12	5	6
14N1M16B15	16	15	M22x1,5	6	M5	60,5	46,5	14	20	27	5	M5x0,8	12	5	6