

Series 62 cylinders - Aluminium profile

Double-acting, magnetic, cushioned
 ø 32, 40, 50, 63, 80, 100 mm



1

MOVEMENT



- » In compliance with ISO 15552 standards and with the previous DIN/ISO 6431/VDMA 24562 standards
- » Rolled stainless steel rod
- » Clean and light design
- » Adjustable pneumatic cushioning

Cylinders Series 62 have been designed to comply with the dimensions laid down in the ISO 15552 standards. A permanent magnet is integrated in the piston which enables the detection of the piston position by means of proximity switches (Series CSH) mounted in grooves along one side of the cylinder profile. These grooves can be covered with a slot cover profile Mod. S-CST-500.

These cylinders are equipped with adjustable end-stroke cushioning. They are also equipped with a mechanical cushioning in order to reduce the impact of the piston as it reaches the end of the stroke.

GENERAL DATA

Construction	with tie-rods (inside the profile)
Operation	double-acting
Materials	AL end-blocks, technopolymer piston, rolled stainless steel AISI 420B piston rod, zinc-plated steel piston rod nut, anodized AL-profile tube, zinc-plated steel tie-rods and nuts, NBR piston rod and piston seals, PU cushion seals (Ø 80-100: PU piston seal)
Mounting	with tie-rods, front flange, rear flange, feet front and rear trunnion, swivel combination
Stroke min - max	10 ÷ 2500 mm
Operating temperature	0°C ÷ 80°C (with dry air -10°C)
Special designs	see coding example
Operating pressure	1 ÷ 10 bar
Speed	10 ÷ 1000 mm/sec (NO LOAD)
Fluid	filtered air, without lubrication. If lubricated air is used, it is recommended to use oil ISOVG32. Once applied the lubrication should never be interrupted.
Proximity switch to use	CSH

STANDARD STROKES FOR CYLINDERS SERIES 62

Special strokes until 2500 mm available on request

* = Double-acting

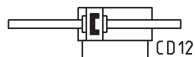
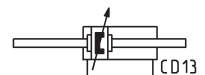
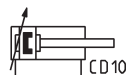
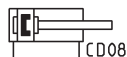
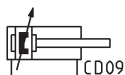
STANDARD STROKES														
Ø	25	50	75	80	100	125	150	160	200	250	300	320	400	500
32	*	*	*	*	*	*	*	*	*	*	*	*	*	*
40	*	*	*	*	*	*	*	*	*	*	*	*	*	*
50	*	*	*	*	*	*	*	*	*	*	*	*	*	*
63	*	*	*	*	*	*	*	*	*	*	*	*	*	*
80	*	*	*	*	*	*	*	*	*	*	*	*	*	*
100		*	*	*	*	*	*	*	*	*	*	*	*	*

CODING EXAMPLE

62	M	2	P	050	A	0200	
62	SERIES						
M	VERSION M = standard, magnetic						
2	OPERATION 2 = double-acting, front + rear cushion 3 = double-acting, no cushion 4 = double-acting, rear cushion 5 = double-acting, front cushion 6 = double-acting, through-rod, front + rear cushion 8 = double-acting, through-rod, no cushion					PNEUMATIC SYMBOLS CD09 CD08 CD10 CD11 CD13 CD12	
P	MATERIALS P = see general data on page 1/1.26.01 R = stainless steel AISI 420B tie-rods, stainless steel AISI 303 tie-rod nuts C = rolled stainless steel AISI 303 piston rod, stainless steel AISI 304 piston rod nut U = rolled stainless steel AISI 303 piston rod, stainless steel AISI 304 piston rod nut, stainless steel AISI 420B tie-rod, stainless steel AISI 303 tie-rod nuts W = rolled stainless steel AISI 304 piston rod, stainless steel AISI304 piston rod nut, stainless steel AISI 420B tie-rods, stainless steel AISI 303 tie-rod nuts						
050	BORE 032 = 32 mm - 040 = 40 mm - 050 = 50 mm - 063 = 63 mm - 080 = 80 mm - 100 = 100 mm						
A	CONSTRUCTION A = standard lock nut for rod RL = cylinder with rod lock						
0200	STROKE: 10 + 2500 mm = standard V = FKM piston rod seal P = PU piston rod seal (_ _ _) = extended piston rod _ _ _ mm						

PNEUMATIC SYMBOLS

The pneumatic symbols which have been indicated in the CODING EXAMPLE are shown below.



ACCESSORIES FOR CYLINDERS SERIES 62



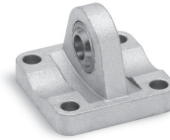
Piston rod socket joint
Mod. GY



Piston rod lock nut
Mod. U



Clevis pin Mod. S



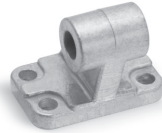
Rear trunnion ball-joint
Mod. R



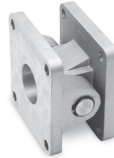
Coupling piece
Mod. GKF



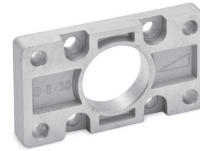
Swivel ball joint Mod. GA



90° male trunnion
Mod. ZC



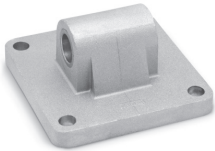
Swivel Combination
Mod. C+L+S



Front and rear flange
Mod. D-E



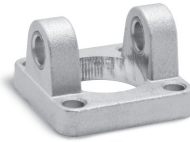
Self aligning rod
Mod. GK



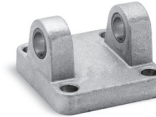
Rear trunnion male
Mod. L



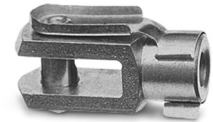
Foot mount Mod. B



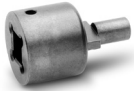
Front female trunnion
Mod. H and C-H



Rear female trunnion
Mod. C and C-H



Rod fork end Mod. G

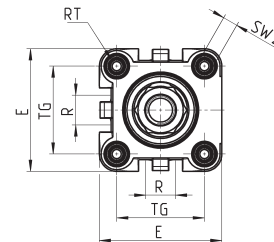
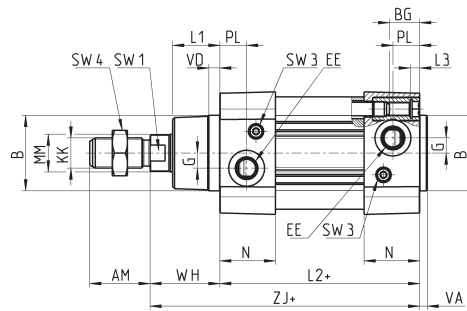


Key to disassemble
cylinders Ø 80 and 100



All accessories are supplied separately, except for piston rod lock nut Mod. U

Cylinders Series 62



Ø32-40-50-63



SW 2



Ø80-100

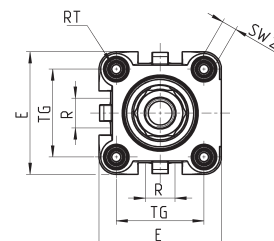
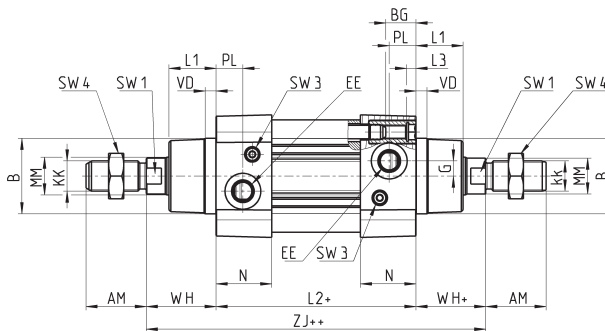
+ = add the stroke

 Table note:
 * = special key 80-62/8C
 (see accessories)

DIMENSIONS

Ø	AM	B	BG	E	EE	G	KK	L1	L2+	L3	MM	N	PL	R	RT	SW1	SW2	SW3	SW4	TG	VA	VD	WH	ZJ+	front/rear cushion stroke
32	22	30	16	46	G1/8	5	M10x1,25	18	94	5	12	26	14	13	M6	10	6	2	17	32,5	4	5	26	120	17
40	24	35	16	55	G1/4	5	M12x1,25	21	105	5	16	29	15	13,5	M6	13	6	2	19	38	4	5	30	135	20
50	32	40	16	64,5	G1/4	8	M16x1,5	25	106	5	20	29,5	15	16	M8	17	8	3	24	46,5	4	6	37	143	15
63	32	45	16	75	G3/8	8	M16x1,5	26	121	5	20	36,5	21	28	M8	17	8	3	24	56,5	4	6	37	158	17
80	40	45	19	93	G3/8	8	M20x1,5	30	128	0	25	36	21	30	M10	22	*	5	30	72	4	7	46	174	20
100	40	55	19,5	110	G1/2	8	M20x1,5	35	138	0	25	38,5	23	40	M10	22	*	5	30	89	4	7	51	189	21

Cylinders Series 62 - through-rod



Ø32-40-50-63



SW 2



Ø80-100

 + = add the stroke once
 ++ = add the stroke twice

 Table note:
 * = special key 80-62/8C
 (see accessories)

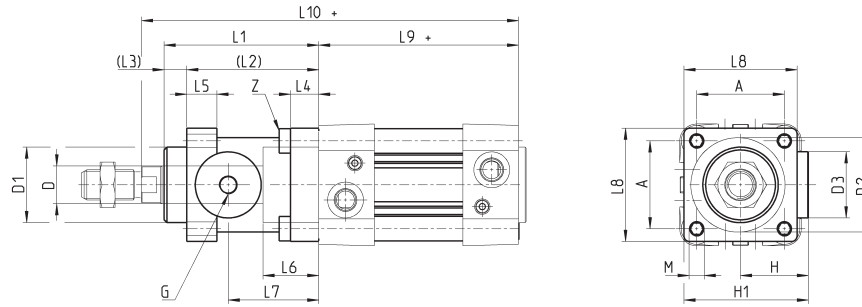
DIMENSIONS

Ø	AM	B	BG	E	EE	G	KK	L1	L2+	L3	MM	N	PL	R	RT	SW1	SW2	SW3	SW4	TG	VD	WH	ZM+	front/rear cushion stroke
32	22	30	16	46	G1/8	5	M10x1,25	18	94	5	12	26	14	13	M6	10	6	2	17	32,5	5	26	146	17
40	24	35	16	55	G1/4	5	M12x1,25	21	105	5	16	29	15	13,5	M6	13	6	2	19	38	5	30	165	20
50	32	40	16	64,5	G1/4	8	M16x1,5	25	106	5	20	29,5	15	16	M8	17	8	3	24	46,5	6	37	180	15
63	32	45	16	75	G3/8	8	M16x1,5	26	121	5	20	36,5	21	28	M8	17	8	3	24	56,5	6	37	195	17
80	40	45	19	93	G3/8	8	M20x1,5	30	128	0	25	36	21	30	M10	22	*	5	30	72	7	46	220	20
100	40	55	19,5	110	G1/2	8	M20x1,5	35	138	0	25	38,5	23	40	M10	22	*	5	30	89	7	51	240	21

Cylinders Series 62 with rod lock



+ = add the stroke



DIMENSIONS

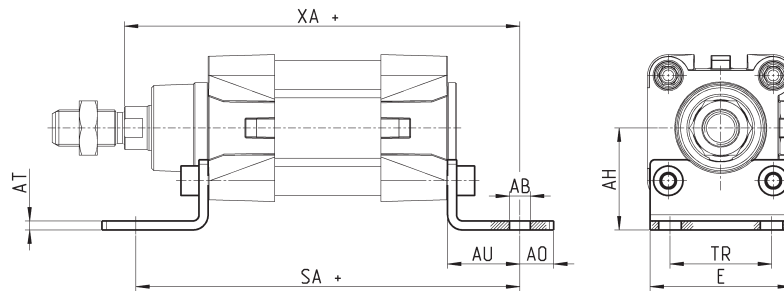
Ø	øD	øD1	øD2	øD3	A	G	H	H1	L1	L2	L3	L4	L5	L6	L7	L8	L9+	L10+	M	Z
32	12	30,5	35	25	32,5	M5	25,5	46,5	58	48	10	8	13	20,5	34	45	94	160	M6	M6x20
40	16	35	40	28	38	G1/8	30	53	65	55	10	8	13	22,5	38	50	105	178	M6	M6x20
50	20	40	50	35	46,5	G1/8	36	64	82	70	12	15	16	29,5	48	60	106	200	M8	M6x20
63	20	45	60	38	56,5	G1/8	40	75	82	70	12	15	16	29,5	49,5	70	121	215	M8	M8x30
80	25	45	80	48	72	G1/8	50	95	110	90	20	18	20	35	61	90	128	254	M10	M10x35
100	25	55	100	58	89	G1/8	58	110,5	115	100	15	18	20	39	69	105	138	269	M10	M10x35

Foot mount Mod. B

Material: zinc-plated steel



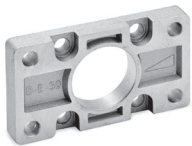
Supplied with:
2x feet
4x screws
+ = add the stroke



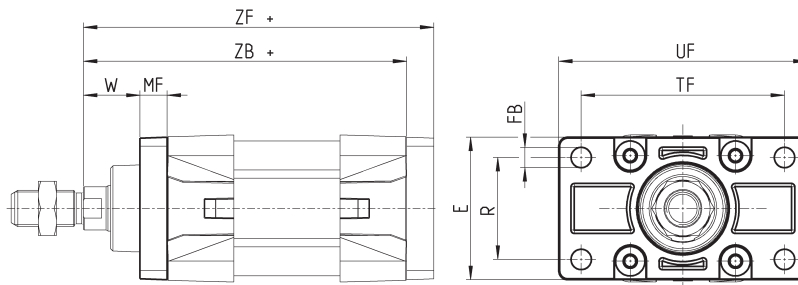
Mod.	∅	AT	SA+	XA+	TR	E	AB	AH	AO	AU
B-41-32	32	4	142	144	32	45	7	32	11	24
B-41-40	40	4	161	163	36	53,5	10	36	15	28
B-41-50	50	4	170	175	45	62,5	10	45	15	32
B-41-63	63	5	185	190	50	73	10	50	15	32
B-41-80	80	6	210	216	63	92	12	63	20	41
B-41-100	100	6	220	230	75	108,5	14,5	71	25	41

Front and rear flange Mod. D-E

Material: aluminium



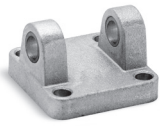
Supplied with:
1x flange
4x screws
+ = add the stroke



Mod.	∅	W	MF	ZB+	TF	R	UF	E	FB	ZF+	torque force
D-E-41-32	32	16	10	120	64	32	86	45	7	130	6 Nm
D-E-41-40	40	20	10	135	72	36	88	52	9	145	6 Nm
D-E-41-50	50	25	12	143	90	45	110	63	9	155	13 Nm
D-E-41-63	63	25	12	158	100	50	116	73	9	170	13 Nm
D-E-41-80	80	30	16	174	126	63	148	95	12	190	19 Nm
D-E-41-100	100	35	16	189	150	75	176	115	14	205	22 Nm

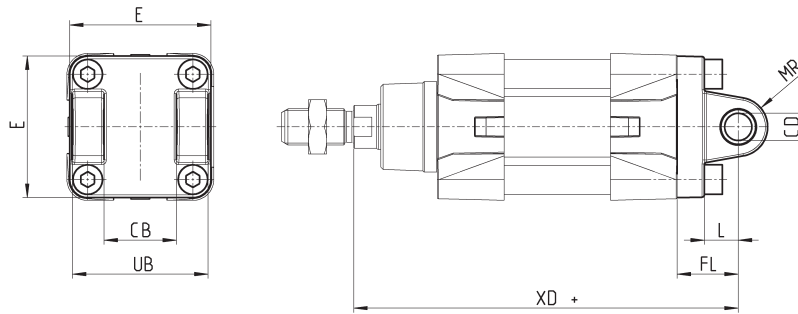
Rear female trunnion Mod. C and C-H

Material: Aluminium



Supplied with:
1x female trunnion
4x screws

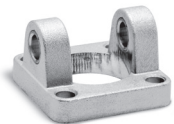
+ = add the stroke



Mod.	∅	CD	L	FL	XD+	MR	E	CB	UB	torque force
C-41-32	32	10	12	22	142	10	45	26	45	6 Nm
C-41-40	40	12	15	25	160	12	53.5	28	52	6 Nm
C-41-50	50	12	15	27	170	13	62.5	32	60	13 Nm
C-H-41-63	63	16	20	32	190	17	73	40	70	13 Nm
C-H-41-80	80	16	24	36	210	17	92	50	90	19 Nm
C-H-41-100	100	20	29	41	230	21	108.5	60	110	22 Nm

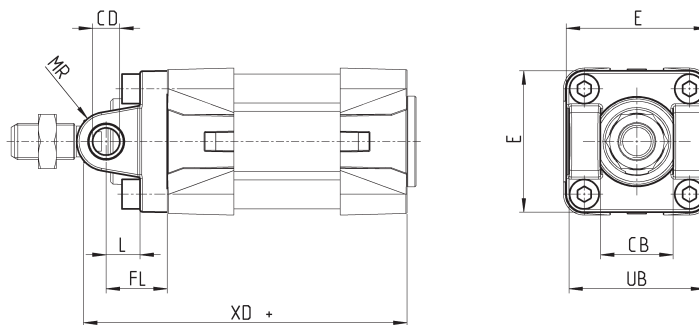
Front female trunnion Mod. H and C-H

Material: Aluminium



Supplied with:
1x female trunnion
4x screws

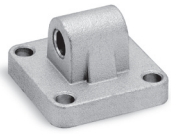
+ = add the stroke



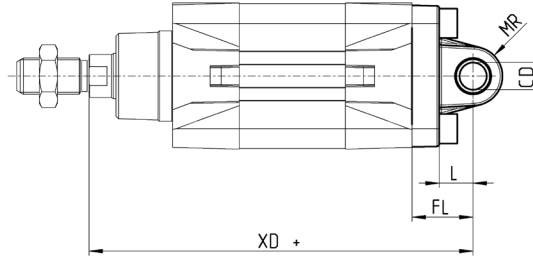
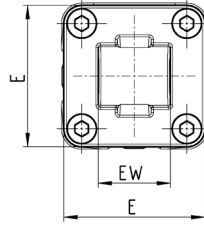
Mod.	∅	CB	UB	E	XD	FL	L	CD	MR
H-41-32	32	26	45	45	120	22	12	10	10
H-41-40	40	28	52	53.5	135	25	15	12	12
H-41-50	50	32	60	62.5	143	27	15	12	13
H-60-63	63	40	70	73	158	32	20	16	17
C-H-41-80	80	50	90	92	174	36	24	16	17
C-H-41-100	100	60	110	108.5	189	41	29	20	21

Rear trunnion, male Mod. L

Material: aluminium


 Supplied with:
 1x male trunnion
 4x screws

+ = add the stroke

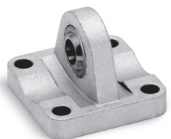
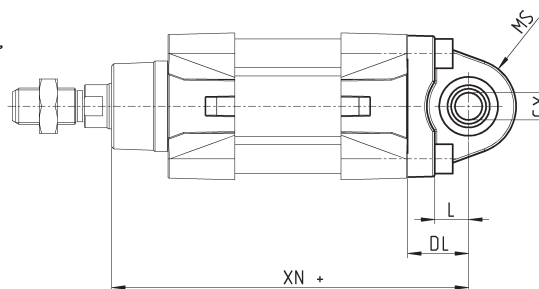
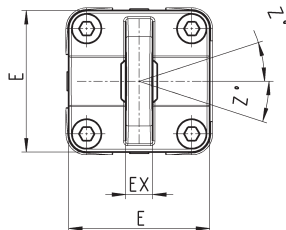

DIMENSIONS

Mod.	Ø	CD	L	FL	XD+	MR	E	EW	torque force
L-41-32	32	10	12	22	142	10	45	26	6 Nm
L-41-40	40	12	15	25	160	13	53.5	28	6 Nm
L-41-50	50	16	15	27	170	13	62.5	32	13 Nm
L-41-63	63	16	20	32	190	17	73	40	13 Nm
L-41-80	80	20	24	36	210	17	92	50	19 Nm
L-41-100	100	20	29	41	230	21	108.5	60	22 Nm

Trunnion ball-joint Mod. R*

Material: Aluminium

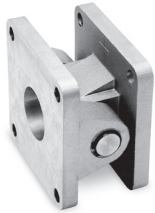
* not according to standard


 Supplied with:
 1x trunnion ball-joint
 4x screws

DIMENSIONS

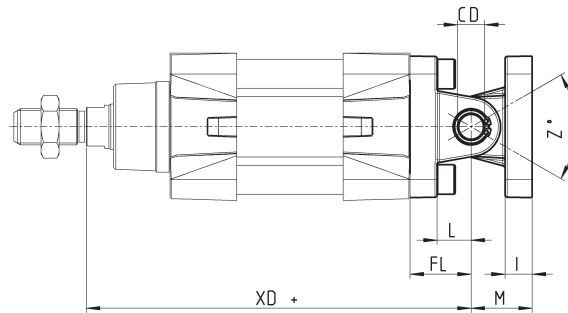
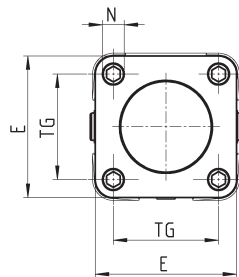
Mod.	Ø	CX	L	DL	XN+	MS	E	EX	Z°	torque force
R-41-32	32	10	12	22	142	18	45	10.5	4	6 Nm
R-41-40	40	12	15	25	160	18	53.5	12	4	6 Nm
R-41-50	50	16	15	27	170	21	62.5	12	4	13 Nm
R-41-63	63	16	20	32	190	23	73	15	4	13 Nm
R-41-80	80	20	24	36	210	28	92	15	4	19 Nm
R-41-100	100	20	29	41	230	30	108.5	18	4	22 Nm

Accessory combination Mod. C+L+S

Material: Aluminium



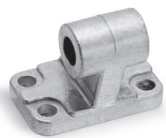
+ = add the stroke



DIMENSIONS												
Mod.	∅	E	TG	\varnothing N	XD+	FL	\varnothing CD	L	M	I	Z° (max)	torque force
C+L+S	32	45	32.5	6.5	142	22	10	12	22	10	30	6 Nm
C+L+S	40	53.5	38	6.5	160	25	12	15	25	10	40	6 Nm
C+L+S	50	62.5	46.5	9	170	27	12	15	27	12	25	13 Nm
C+L+S	63	73	56.5	9	190	32	16	20	32	12	36	13 Nm
C+L+S	80	92	72	11	210	36	16	24	36	12	34	19 Nm
C+L+S	100	108.5	89	11	230	41	20	29	41	12	38	22 Nm

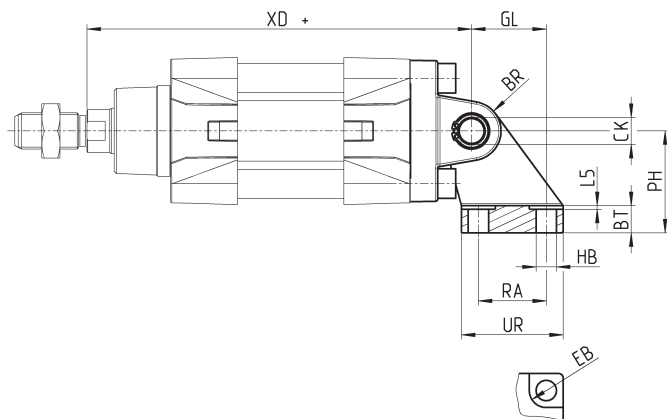
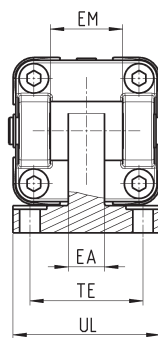
90° male trunnion Mod. ZC

CETOP RP 107P
Material: Aluminium



Supplied with:
1x male support

+ = add the stroke



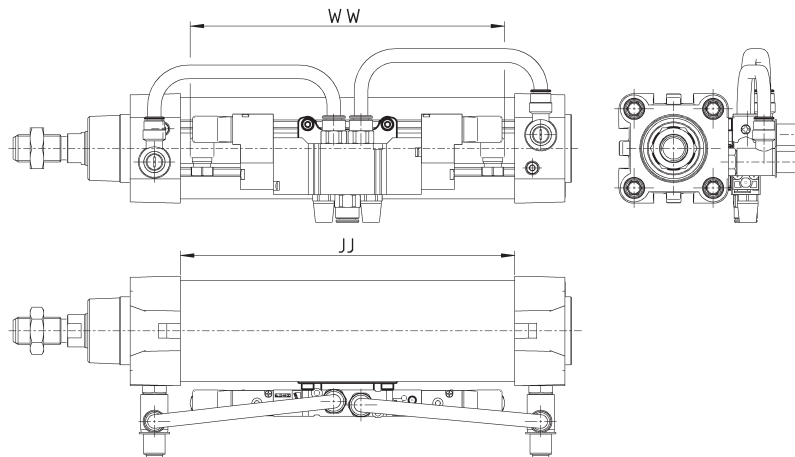
DIMENSIONS																
Mod.	∅	EB	CK	HB	XD+	TE	UL	EA	GL	L5	RA	EM	UR	PH	BT	BR
ZC-32	32	11	10	6,6	142	38	51	10	21	1,6	18	26	31	32	8	10
ZC-40	40	11	12	6,6	160	41	54	15	24	1,6	22	28	35	36	10	11
ZC-50	50	15	12	9	170	50	65	16	33	1,6	30	32	45	45	12	13
ZC-63	63	15	16	9	190	52	67	16	37	1,6	35	40	50	50	14	15
ZC-80	80	18	16	11	210	66	86	20	47	2,5	40	50	60	63	14	15
ZC-100	100	18	20	11	230	76	96	20	55	3,2	50	60	70	71	17	19

Accessory to mount valves on the cylinder

The mounting sub-base Mod. PCV enables the valve or solenoid valve to be mounted directly on the cylinder, thus forming a compact unit to apply.



Make sure that the WW dimension of the valve to be mounted is smaller than the JJ cylinder dimension. Further information on <http://catalogue.camozzi.com/downloads>.



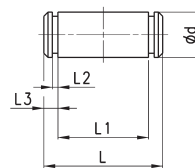
Mod.

PCV-62-K3	to connect valves - solenoid valves Series 3
PCV-62-K4	to connect valves - solenoid valves Series 4 port G1/4
PCV-62-KEN	to connect valves - solenoid valves Series EN
PCV-62-K8	to connect valves - solenoid valves Series 4 port G1/8 and Series 3 port G1/4

Clevis pin Mod. S



Supplied with:
1x clevis pin in stainless steel 303
2x Seeger in steel

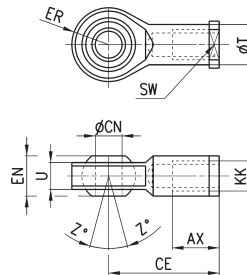


DIMENSIONS

Mod.	Ø	d	L	L1	L2	L3
S-32	32	10	52	46	1,1	3
S-40	40	12	59	53	1,1	3
S-50	50	12	67	61	1,1	3
S-63	63	16	77	71	1,1	3
S-80	80	16	97	91	1,1	3
S-100	100	20	121	111	1,3	5

Swivel ball joint Mod. GA

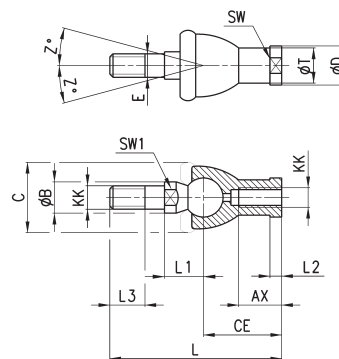
Material: zinc-plated steel
ISO 8139



DIMENSIONS										
Mod.	ØCN	U	EN	ER	AX	CE	KK	T	Z	SW
GA-32	10	10,5	14	14	20	43	M10X1,25	15	6,5	17
GA-40	12	12	16	16	22	50	M12X1,25	17,5	6,5	19
GA-50-63	16	15	21	21	28	64	M16X1,5	22	7,5	22
GA-80-100	20	18	25	25	33	77	M20x1,5	27,5	7	30

Piston rod socket joint Mod. GY

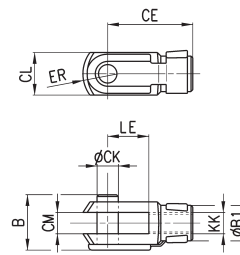
Material: zama and zinc-plated steel



DIMENSIONS																
Mod.	Ø	KK	L	CE	L2	AX	SW	SW1	L1	L3	ØT	ØD	E	ØB	ØC	Z
GY-32	32	M10X1,25	74	35	6,5	18	17	11	19,5	15	15	19	10	14	28	15
GY-40	40	M12X1,25	84	40	6,5	20	19	17	21	17	17,5	22	12	19	32	15
GY-50-63	50-63	M16X1,5	112	50	8	27	22	19	27,5	23	22	27	16	22	40	11
GY-80-100	80-100	M20x1,5	133	63	10	38	30	24	31,5	25	27,5	34	20	27	45	7,5

Rod fork end Mod. G

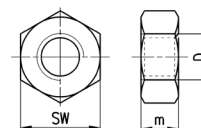
Material: zinc-plated steel
ISO 8140



DIMENSIONS									
Mod.	ØCK	LE	CM	CL	ER	CE	KK	B	B1
G-25-32	10	20	10	20	12	40	M10 X 1,25	26	18
G-40	12	24	12	24	14	48	M12 X 1,25	32	20
G-50-63	16	32	16	32	19	64	M16 X 1,5	40	26
G-80-100	20	40	20	40	25	80	M20 X 1,5	48	34

Piston rod lock nut Mod. U

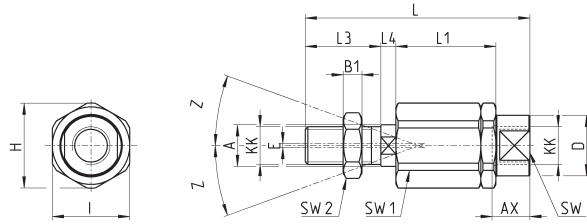
Material: zinc-plated steel
ISO 4035



DIMENSIONS			
Mod.	D	m	SW
U-25-32	M10X1,25	6	17
U-40	M12X1,25	7	19
U-50-63	M16X1,5	8	24
U-80-100	M20x1,5	9	30

Self aligning rod Mod. GK

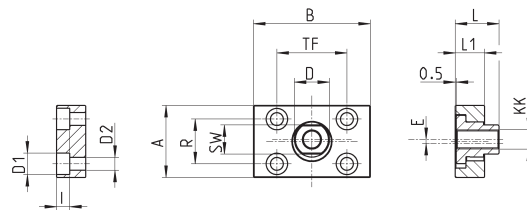
Material: zinc-plated steel


DIMENSIONS

Mod.	∅	KK	L	L1	L3	L4	∅A	∅D	H	I	SW	SW1	SW2	B1	AX	Z	E
GK-25-32	25-32	M10x1,25	71,5	35	20	7,5	14	22	32	30	19	12	17	5	22	4	2
GK-40	40	M12x1,25	75,5	35	24	7,5	14	22	32	30	19	12	19	6	22	4	2
GK-50-63	50-63	M16x1,5	104	53	32	10	22	32	45	41	27	20	24	8	30	3	2
GK-80-100	80-100	M20x1,5	119	53	40	10	22	32	45	41	27	20	30	10	37	3	2

Coupling piece Mod. GKF

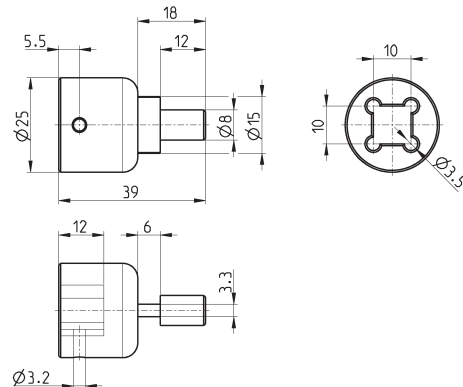
Material: zinc-plated steel


DIMENSIONS

Mod.	∅	KK	A	B	R	TF	L	L1	I	∅ D	∅ D1	∅ D2	SW	E
GKF-25-32	32	M10x1,25	37	60	23	36	22,5	15	6,8	18	11	6,6	15	2
GKF-40	40	M12x1,25	56	60	38	42	22,5	15	9	20	15	9	15	2,5
GKF-50-63	50-63	M16x1,5	80	80	58	58	26,5	15	10,5	25	18	11	22	2,5
GKF-80-100	80-100	M20x1,5	90	90	65	65	32,5	20	13	30,5	20	14	27	2,5

Special key to disassemble cylinders ∅ 80 and 100

Material: hardened steel


 Mod.
80-62/8C