

Šroub s válcovou hlavou a vnitřním šestihranem DIN 912 / DIN EN ISO 4762

Popis zboží/obrázky produktu



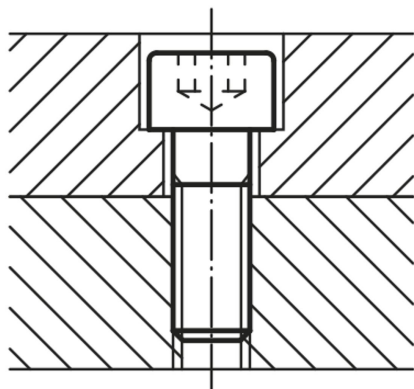
Popis

Materiál:

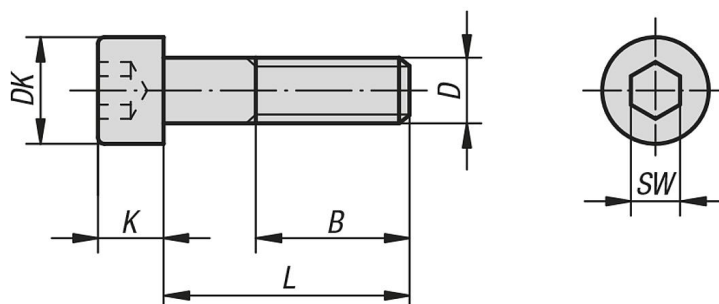
Ocel.

Provedení:

Ocel třídy pevnosti 12.9, černá.



Výkresy



Přehled zboží

Šroub s válcovou hlavou a vnitřním šestihranem DIN 912 / DIN EN ISO 4762

Přehled zboží

Šroub s válcovou hlavou a vnitřním šestihranem DIN 912 / DIN EN ISO 4762

Objednací číslo	Třída pevnosti	D	L	B	DK	K	SW
K0869.206X18	12.9	M6	18	24	10	6	5
K0869.206X20	12.9	M6	20	24	10	6	5
K0869.206X25	12.9	M6	25	24	10	6	5
K0869.206X30	12.9	M6	30	24	10	6	5
K0869.206X35	12.9	M6	35	24	10	6	5
K0869.206X40	12.9	M6	40	24	10	6	5
K0869.206X45	12.9	M6	45	24	10	6	5
K0869.206X50	12.9	M6	50	24	10	6	5
K0869.206X55	12.9	M6	55	24	10	6	5
K0869.206X60	12.9	M6	60	24	10	6	5
K0869.206X65	12.9	M6	65	24	10	6	5
K0869.206X70	12.9	M6	70	24	10	6	5
K0869.206X80	12.9	M6	80	24	10	6	5
K0869.206X90	12.9	M6	90	24	10	6	5
K0869.206X100	12.9	M6	100	24	10	6	5
K0869.208X20	12.9	M8	20	28	13	8	6
K0869.208X25	12.9	M8	25	28	13	8	6
K0869.208X30	12.9	M8	30	28	13	8	6
K0869.208X35	12.9	M8	35	28	13	8	6
K0869.208X40	12.9	M8	40	28	13	8	6
K0869.208X45	12.9	M8	45	28	13	8	6
K0869.208X50	12.9	M8	50	28	13	8	6
K0869.208X55	12.9	M8	55	28	13	8	6
K0869.208X60	12.9	M8	60	28	13	8	6
K0869.208X65	12.9	M8	65	28	13	8	6
K0869.208X70	12.9	M8	70	28	13	8	6
K0869.208X80	12.9	M8	80	28	13	8	6
K0869.208X90	12.9	M8	90	28	13	8	6
K0869.208X100	12.9	M8	100	28	13	8	6
K0869.208X120	12.9	M8	120	28	13	8	6
K0869.210X30	12.9	M10	30	32	16	10	8
K0869.210X35	12.9	M10	35	32	16	10	8
K0869.210X40	12.9	M10	40	32	16	10	8
K0869.210X45	12.9	M10	45	32	16	10	8
K0869.210X50	12.9	M10	50	32	16	10	8
K0869.210X55	12.9	M10	55	32	16	10	8
K0869.210X60	12.9	M10	60	32	16	10	8
K0869.210X65	12.9	M10	65	32	16	10	8
K0869.210X70	12.9	M10	70	32	16	10	8
K0869.210X75	12.9	M10	75	32	16	10	8
K0869.210X80	12.9	M10	80	32	16	10	8
K0869.210X90	12.9	M10	90	32	16	10	8
K0869.210X100	12.9	M10	100	32	16	10	8
K0869.210X110	12.9	M10	110	32	16	10	8
K0869.210X120	12.9	M10	120	32	16	10	8
K0869.210X130	12.9	M10	130	32	16	10	8
K0869.210X140	12.9	M10	140	32	16	10	8
K0869.212X30	12.9	M12	30	36	18	12	10
K0869.212X35	12.9	M12	35	36	18	12	10
K0869.212X40	12.9	M12	40	36	18	12	10
K0869.212X45	12.9	M12	45	36	18	12	10
K0869.212X50	12.9	M12	50	36	18	12	10
K0869.212X55	12.9	M12	55	36	18	12	10
K0869.212X60	12.9	M12	60	36	18	12	10
K0869.212X65	12.9	M12	65	36	18	12	10
K0869.212X70	12.9	M12	70	36	18	12	10
K0869.212X75	12.9	M12	75	36	18	12	10
K0869.212X80	12.9	M12	80	36	18	12	10
K0869.212X90	12.9	M12	90	36	18	12	10
K0869.212X100	12.9	M12	100	36	18	12	10
K0869.212X110	12.9	M12	110	36	18	12	10

Šroub s válcovou hlavou a vnitřním šestihranem DIN 912 / DIN EN ISO

4762

Přehled zboží

Objednací číslo	Třída pevnosti	D	L	B	DK	K	SW
K0869.212X120	12.9	M12	120	36	18	12	10
K0869.212X130	12.9	M12	130	36	18	12	10
K0869.212X140	12.9	M12	140	36	18	12	10
K0869.216X35	12.9	M16	35	44	24	16	14
K0869.216X40	12.9	M16	40	44	24	16	14
K0869.216X45	12.9	M16	45	44	24	16	14
K0869.216X50	12.9	M16	50	44	24	16	14
K0869.216X55	12.9	M16	55	44	24	16	14
K0869.216X60	12.9	M16	60	44	24	16	14
K0869.216X65	12.9	M16	65	44	24	16	14
K0869.216X70	12.9	M16	70	44	24	16	14
K0869.216X75	12.9	M16	75	44	24	16	14
K0869.216X80	12.9	M16	80	44	24	16	14
K0869.216X90	12.9	M16	90	44	24	16	14
K0869.216X100	12.9	M16	100	44	24	16	14
K0869.216X110	12.9	M16	110	44	24	16	14
K0869.216X120	12.9	M16	120	44	24	16	14
K0869.216X130	12.9	M16	130	44	24	16	14
K0869.216X140	12.9	M16	140	44	24	16	14
K0869.216X150	12.9	M16	150	44	24	16	14
K0869.216X160	12.9	M16	160	44	24	16	14
K0869.216X170	12.9	M16	170	44	24	16	14
K0869.216X180	12.9	M16	180	44	24	16	14
K0869.216X200	12.9	M16	200	44	24	16	14
K0869.218X35	12.9	M18	35	48	27	18	14
K0869.218X40	12.9	M18	40	48	27	18	14
K0869.218X45	12.9	M18	45	48	27	18	14
K0869.218X50	12.9	M18	50	48	27	18	14
K0869.218X55	12.9	M18	55	48	27	18	14
K0869.218X60	12.9	M18	60	48	27	18	14
K0869.218X65	12.9	M18	65	48	27	18	14
K0869.218X70	12.9	M18	70	48	27	18	14
K0869.218X75	12.9	M18	75	48	27	18	14
K0869.218X80	12.9	M18	80	48	27	18	14
K0869.218X90	12.9	M18	90	48	27	18	14
K0869.218X100	12.9	M18	100	48	27	18	14
K0869.218X110	12.9	M18	110	48	27	18	14
K0869.218X120	12.9	M18	120	48	27	18	14
K0869.218X130	12.9	M18	130	48	27	18	14
K0869.218X140	12.9	M18	140	48	27	18	14
K0869.218X150	12.9	M18	150	48	27	18	14
K0869.218X160	12.9	M18	160	48	27	18	14
K0869.218X170	12.9	M18	170	48	27	18	14
K0869.218X180	12.9	M18	180	48	27	18	14
K0869.218X200	12.9	M18	200	48	27	18	14
K0869.220X40	12.9	M20	40	52	30	20	17
K0869.220X45	12.9	M20	45	52	30	20	17
K0869.220X50	12.9	M20	50	52	30	20	17
K0869.220X55	12.9	M20	55	52	30	20	17
K0869.220X60	12.9	M20	60	52	30	20	17
K0869.220X65	12.9	M20	65	52	30	20	17
K0869.220X70	12.9	M20	70	52	30	20	17
K0869.220X75	12.9	M20	75	52	30	20	17
K0869.220X80	12.9	M20	80	52	30	20	17
K0869.220X90	12.9	M20	90	52	30	20	17
K0869.220X100	12.9	M20	100	52	30	20	17
K0869.220X110	12.9	M20	110	52	30	20	17
K0869.220X120	12.9	M20	120	52	30	20	17
K0869.220X130	12.9	M20	130	52	30	20	17
K0869.220X140	12.9	M20	140	52	30	20	17
K0869.220X150	12.9	M20	150	52	30	20	17
K0869.220X160	12.9	M20	160	52	30	20	17
K0869.220X170	12.9	M20	170	52	30	20	17

Šroub s válcovou hlavou a vnitřním šestihranem DIN 912 / DIN EN ISO 4762

Přehled zboží

Objednací číslo	Třída pevnosti	D	L	B	DK	K	SW
K0869.220X180	12.9	M20	180	52	30	20	17
K0869.220X200	12.9	M20	200	52	30	20	17