

Šrouby pro T-drážky DIN 787

Popis zboží/obrázky produktu



Popis

Materiál:

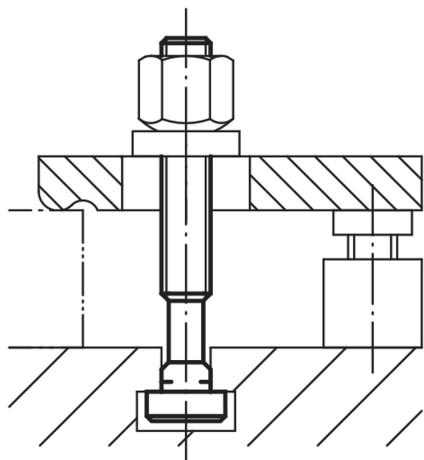
Zušlechtěná ocel.

Provedení:

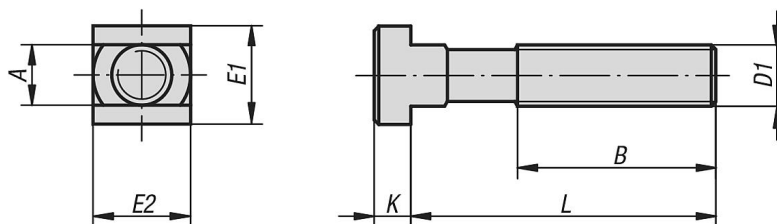
Kováno, frézované vedení drážky, válcovaný závit.

M6–M12 zušlechtěno na 10.9, černý.

M14–M36 zušlechtěno na 8.8, černý.



Výkresy



Přehled zboží

Šrouby pro T-drážky DIN 787

Šrouby pro T-drážky DIN 787

Přehled zboží

| Objednací číslo | Jmenovitý rozměr drážky | D1 | L | A | B | E1/E2 | K |
|-----------------|-------------------------|-----|-----|------|-----|-------|----|
| K0698.0625 | 6 | M6 | 25 | 5,7 | 15 | 10 | 4 |
| K0698.0640 | 6 | M6 | 40 | 5,7 | 28 | 10 | 4 |
| K0698.0663 | 6 | M6 | 63 | 5,7 | 40 | 10 | 4 |
| K0698.0832 | 8 | M8 | 32 | 7,7 | 22 | 13 | 6 |
| K0698.0850 | 8 | M8 | 50 | 7,7 | 35 | 13 | 6 |
| K0698.0880 | 8 | M8 | 80 | 7,7 | 50 | 13 | 6 |
| K0698.1040 | 10 | M10 | 40 | 9,7 | 30 | 15 | 6 |
| K0698.1063 | 10 | M10 | 63 | 9,7 | 45 | 15 | 6 |
| K0698.10100 | 10 | M10 | 100 | 9,7 | 60 | 15 | 6 |
| K0698.1250 | 12 | M12 | 50 | 11,7 | 35 | 18 | 7 |
| K0698.1263 | 12 | M12 | 63 | 11,7 | 40 | 18 | 7 |
| K0698.1280 | 12 | M12 | 80 | 11,7 | 55 | 18 | 7 |
| K0698.12100 | 12 | M12 | 100 | 11,7 | 65 | 18 | 7 |
| K0698.12125 | 12 | M12 | 125 | 11,7 | 75 | 18 | 7 |
| K0698.12160 | 12 | M12 | 160 | 11,7 | 100 | 18 | 7 |
| K0698.12200 | 12 | M12 | 200 | 11,7 | 120 | 18 | 7 |
| K0698.1450 | 14 | M12 | 50 | 13,7 | 35 | 22 | 8 |
| K0698.1463 | 14 | M12 | 63 | 13,7 | 45 | 22 | 8 |
| K0698.1480 | 14 | M12 | 80 | 13,7 | 55 | 22 | 8 |
| K0698.14100 | 14 | M12 | 100 | 13,7 | 65 | 22 | 8 |
| K0698.14125 | 14 | M12 | 125 | 13,7 | 75 | 22 | 8 |
| K0698.14160 | 14 | M12 | 160 | 13,7 | 100 | 22 | 8 |
| K0698.14200 | 14 | M12 | 200 | 13,7 | 120 | 22 | 8 |
| K0698.16631 | 16 | M14 | 63 | 15,7 | 45 | 25 | 9 |
| K0698.16801 | 16 | M14 | 80 | 15,7 | 55 | 25 | 9 |
| K0698.161001 | 16 | M14 | 100 | 15,7 | 65 | 25 | 9 |
| K0698.161251 | 16 | M14 | 125 | 15,7 | 75 | 25 | 9 |
| K0698.161601 | 16 | M14 | 160 | 15,7 | 100 | 25 | 9 |
| K0698.162501 | 16 | M14 | 250 | 15,7 | 150 | 25 | 9 |
| K0698.1663 | 16 | M16 | 63 | 15,7 | 45 | 25 | 9 |
| K0698.1680 | 16 | M16 | 80 | 15,7 | 55 | 25 | 9 |
| K0698.16100 | 16 | M16 | 100 | 15,7 | 65 | 25 | 9 |
| K0698.16125 | 16 | M16 | 125 | 15,7 | 85 | 25 | 9 |
| K0698.16160 | 16 | M16 | 160 | 15,7 | 100 | 25 | 9 |
| K0698.16200 | 16 | M16 | 200 | 15,7 | 125 | 25 | 9 |
| K0698.16250 | 16 | M16 | 250 | 15,7 | 150 | 25 | 9 |
| K0698.1863 | 18 | M16 | 63 | 17,7 | 45 | 28 | 10 |
| K0698.1880 | 18 | M16 | 80 | 17,7 | 55 | 28 | 10 |
| K0698.18100 | 18 | M16 | 100 | 17,7 | 65 | 28 | 10 |
| K0698.18125 | 18 | M16 | 125 | 17,7 | 85 | 28 | 10 |
| K0698.18160 | 18 | M16 | 160 | 17,7 | 100 | 28 | 10 |
| K0698.18200 | 18 | M16 | 200 | 17,7 | 125 | 28 | 10 |
| K0698.18250 | 18 | M16 | 250 | 17,7 | 150 | 28 | 10 |
| K0698.2080 | 20 | M20 | 80 | 19,7 | 55 | 32 | 12 |
| K0698.20100 | 20 | M20 | 100 | 19,7 | 65 | 32 | 12 |
| K0698.20125 | 20 | M20 | 125 | 19,7 | 85 | 32 | 12 |
| K0698.20160 | 20 | M20 | 160 | 19,7 | 110 | 32 | 12 |
| K0698.20200 | 20 | M20 | 200 | 19,7 | 125 | 32 | 12 |
| K0698.20250 | 20 | M20 | 250 | 19,7 | 150 | 32 | 12 |
| K0698.20315 | 20 | M20 | 315 | 19,7 | 190 | 32 | 12 |
| K0698.2280 | 22 | M20 | 80 | 21,7 | 55 | 35 | 14 |
| K0698.22100 | 22 | M20 | 100 | 21,7 | 65 | 35 | 14 |
| K0698.22125 | 22 | M20 | 125 | 21,7 | 85 | 35 | 14 |
| K0698.22160 | 22 | M20 | 160 | 21,7 | 110 | 35 | 14 |
| K0698.22200 | 22 | M20 | 200 | 21,7 | 125 | 35 | 14 |
| K0698.22250 | 22 | M20 | 250 | 21,7 | 150 | 35 | 14 |
| K0698.22315 | 22 | M20 | 315 | 21,7 | 190 | 35 | 14 |
| K0698.24100 | 24 | M24 | 100 | 23,7 | 70 | 40 | 16 |
| K0698.24125 | 24 | M24 | 125 | 23,7 | 85 | 40 | 16 |
| K0698.24160 | 24 | M24 | 160 | 23,7 | 110 | 40 | 16 |
| K0698.24200 | 24 | M24 | 200 | 23,7 | 125 | 40 | 16 |
| K0698.24250 | 24 | M24 | 250 | 23,7 | 150 | 40 | 16 |

Šrouby pro T-drážky DIN 787

Přehled zboží

| Objednací číslo | Jmenovitý rozměr drážky | D1 | L | A | B | E1/E2 | K |
|-----------------|-------------------------|-----|-----|------|-----|-------|----|
| K0698.24315 | 24 | M24 | 315 | 23,7 | 190 | 40 | 16 |
| K0698.24400 | 24 | M24 | 400 | 23,7 | 240 | 40 | 16 |
| K0698.28100 | 28 | M24 | 100 | 27,7 | 70 | 44 | 18 |
| K0698.28125 | 28 | M24 | 125 | 27,7 | 85 | 44 | 18 |
| K0698.28160 | 28 | M24 | 160 | 27,7 | 110 | 44 | 18 |
| K0698.28200 | 28 | M24 | 200 | 27,7 | 125 | 44 | 18 |
| K0698.28250 | 28 | M24 | 250 | 27,7 | 150 | 44 | 18 |
| K0698.28315 | 28 | M24 | 315 | 27,7 | 190 | 44 | 18 |
| K0698.28400 | 28 | M24 | 400 | 27,7 | 240 | 44 | 18 |
| K0698.36125 | 36 | M30 | 125 | 35,6 | 80 | 54 | 22 |
| K0698.36160 | 36 | M30 | 160 | 35,6 | 110 | 54 | 22 |
| K0698.36200 | 36 | M30 | 200 | 35,6 | 135 | 54 | 22 |
| K0698.36250 | 36 | M30 | 250 | 35,6 | 150 | 54 | 22 |
| K0698.36315 | 36 | M30 | 315 | 35,6 | 200 | 54 | 22 |
| K0698.36500 | 36 | M30 | 500 | 35,6 | 300 | 54 | 22 |
| K0698.42160 | 42 | M36 | 160 | 41,6 | 100 | 65 | 26 |
| K0698.42250 | 42 | M36 | 250 | 41,6 | 175 | 65 | 26 |
| K0698.42400 | 42 | M36 | 400 | 41,6 | 250 | 65 | 26 |