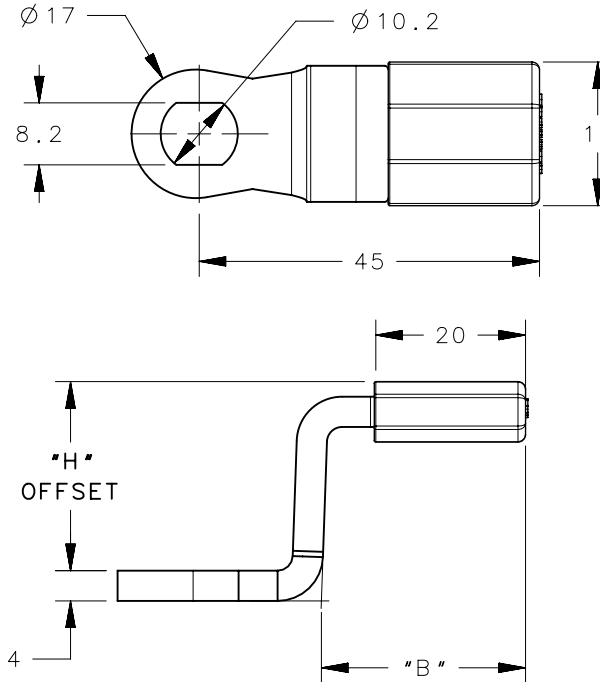
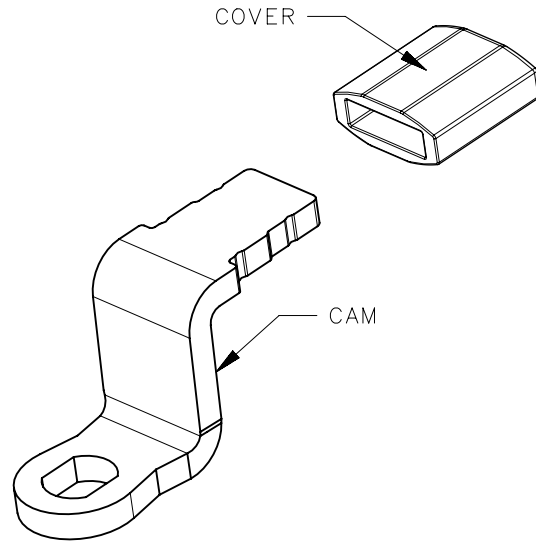
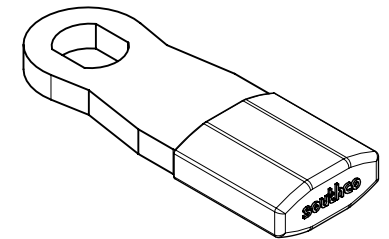
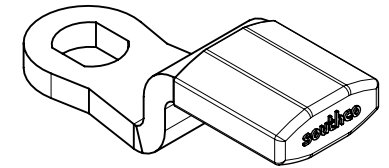
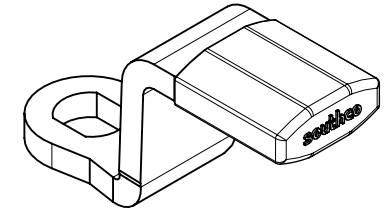


PART NUMBER	DESCRIPTION	OFFSET "H"	BEND "B"
E5-4001	DEEP OFFSET, CAM SUBASSEMBLY	25	27
E5-4002	OFFSET, CAM SUBASSEMBLY	13.5	22
E5-4003	STRAIGHT, CAM SUBASSEMBLY	2	NONE

REVISION HISTORY			
REV	DATE	BY	DESCRIPTION
C	21AUG2017	VK/YGC	PRN: P2017-2077



PART NUMBER SHOWN: E5-4001



SCALE 1:1

2	-	1	CAM	STEEL	ZINC PLATE PLUS BRIGHT CHROMATE
1	-	1	COVER	NYLON	BLACK
-	E5-400Y	-	CAM SUBASSEMBLY	-	-
NO.	PART NUMBER	QTY	TYPE OF COMPONENT	MATERIAL	FINISH

THIRD ANGLE PROJECTION				 CONNECT • CREATE • INNOVATE	
MILLIMETERS [IN]					
SURFACE AREA		TOLERANCES UNLESS OTHERWISE NOTED		DESCRIPTION	
VOLUME		ALL DIMENSIONS WITHOUT TOLERANCES ARE FOR REFERENCE ONLY.		CAM SUBASSEMBLY	
PROPRIETARY ITEM		SIZE	SYSTEM	DWG NO.	
EXCEPT FOR USES EXPRESSLY GRANTED IN WRITING, INFORMATION DISCLOSED HEREON IS CONFIDENTIAL AND ALL RIGHTS, PATENT AND OTHERWISE, ARE RESERVED BY SOUTHCO, INC.		A4	NX	J-E5-400	
PER ASME Y14.5M-1994		DRAWN BY	DATE	SCALE	SHEET
		VK	16DEC2016	1:1	1 OF 1