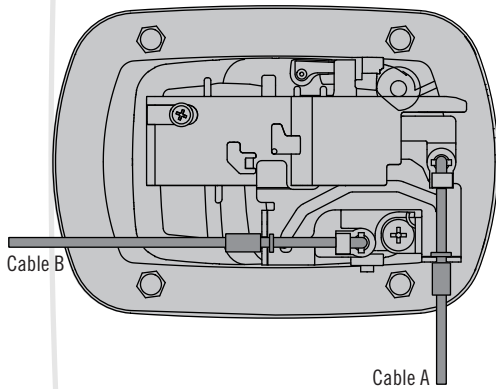
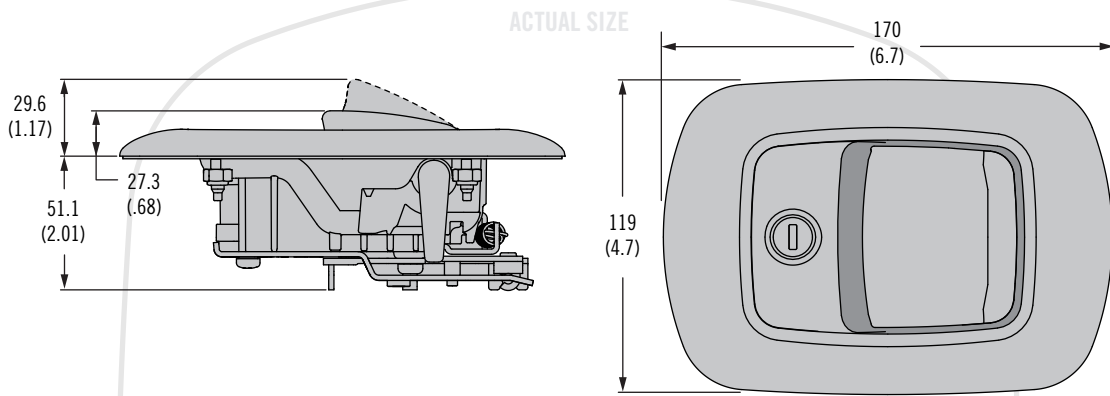


AC-20 Multi Point Actuator

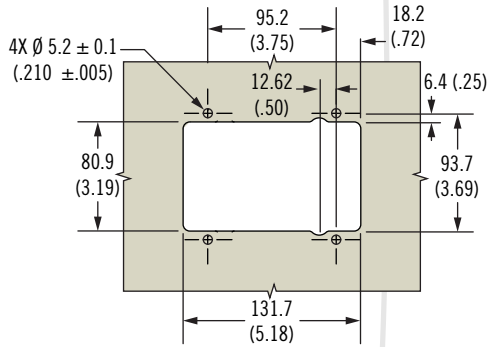
Pull-to-open Paddle



263B



Panel Preparation



Maximum Door Thickness - 8 (.32)

- Single or multi-point actuation capability
- Compatible with a wide range of rotary latches
- Environmentally sealed

Material and Finish

Housing: Glass-filled nylon, black

Paddle: Zinc alloy, black powder coated or chrome plated

Installation Notes

Maximum tightening torque on supplied mounting nuts 3 N·m (27 in·lbf)

Notes

For lock core selection and a complete overview of the *SOUTHCO*® Key-Choice System see page 158

Can be configured with 1 or 2 cables, see page 272.

Recommended cable type 7

Part Number

See table

AC - 20 - 3 L 1 - PP - KC

L Locking Options

- 1 Reversible Key (No Keys - R001)
- 2 Reversible Key (2 Keys included - R001)
- 3 Reversible Key (Keyed differently - 2 keys included)
- 4 Standard Key (No keys - CH751)
- 5 Standard Key (2 Keys included - CH751)
- 6 Standard Key (Keyed differently - 2 keys included)
- 9 No Lock Plug installed (See notes for more information)

KC Key Codes

- (Omit for Locking Options 1, 2, 4, 5 and 9)
- *KD10 Keyed Differently (Only used if L = 3 or 6)
 - *MK10 Master Keyed Differently (Only used if L = 6)

*Supplied in multiples of 10 with 10 different key codes.

- PP Paddle Finish
- 30 Chrome, polished
 - 50 Black powder coated