

Tool center point

VEE-TCP 43x20

Part no.:10.01.36.00166

<https://www.schmalz.com/10.01.36.00166>

Homepage > Vacuum Technology for Automation > Vacuum Components > Area Gripping Systems and End Effectors > Vacuum End Effectors

VEE > Tool Center Point VEE-TCP > VEE-TCP 43x20

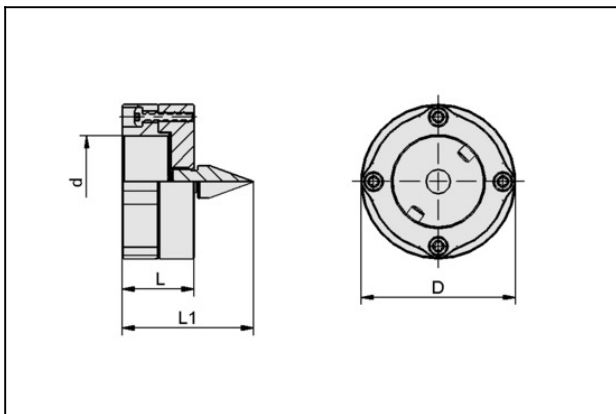
Tool center point for Vacuum End Effectors VEE



External diameter D: 43 mm

Length L: 20 mm

Design Data



Attribute	Value
d	25.4 mm
D	43 mm
L	20 mm
L1	36.5 mm