

# Connector

## VEE-CO18-L

Part no.:10.01.36.00023

<https://www.schmalz.com/10.01.36.00023>

Homepage > Vacuum Technology for Automation > Vacuum Components > Area Gripping Systems and End Effectors > Vacuum End Effectors

VEE > Connector Lower Shells VEE-CO-L > VEE-CO18-L

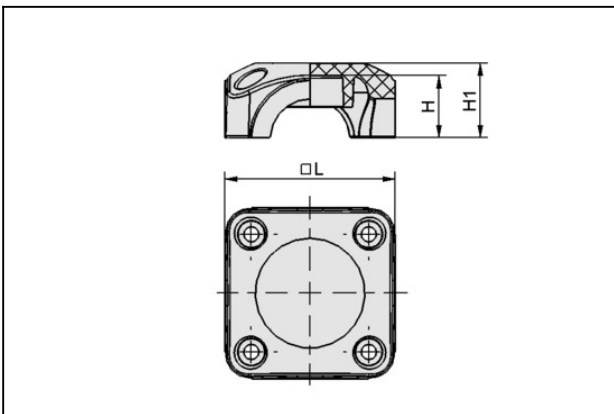
### VEE connector for setting up nodal elements



Pipe diameter: 18 mm

Type: Connector lower shell

### Design Data



Attribute	Value
H1	16.8 mm
L	38 mm