

Connector

VEE-CO18-L-G3/8-IG

Part no.:10.01.36.00020

<https://www.schmalz.com/10.01.36.00020>

Homepage > Vacuum Technology for Automation > Vacuum Components > Area Gripping Systems and End Effectors > Vacuum End Effectors

VEE > Connector Lower Shells VEE-CO-L > VEE-CO18-L-G3/8-IG

VEE connector for setting up nodal elements

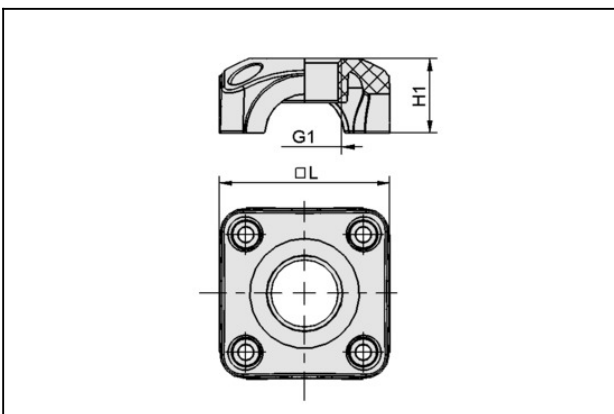


Pipe diameter: 18 mm

Type: Connector lower shell

Thread G1: G3/8"-F

Design Data



Attribute	Value
-----------	-------

G1	G3/8"-F
----	---------

H1	16.8 mm
----	---------

L	38 mm
---	-------