

## Connector

### VEE-CO18-U-G3/8-IG

Part no.:10.01.36.00002

<https://www.schmalz.com/10.01.36.00002>

Homepage > Vacuum Technology for Automation > Vacuum Components > Area Gripping Systems and End Effectors > Vacuum End Effectors

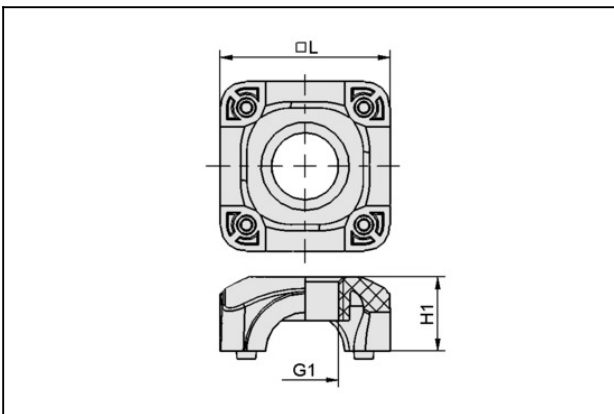
VEE > Connector Upper Shells VEE-CO-U > VEE-CO18-U-G3/8-IG

## VEE connector for setting up nodal elements



Pipe diameter: 18 mm  
Type: Connector upper shell  
Thread G1: G3/8"-F

## Design Data



Attribute	Value
H1	16.7 mm
L	38 mm