

Connector

VEE-CO18-U

Part no.:10.01.36.00001

<https://www.schmalz.com/10.01.36.00001>

Homepage > Vacuum Technology for Automation > Vacuum Components > Area Gripping Systems and End Effectors > Vacuum End Effectors

VEE > Connector Upper Shells VEE-CO-U > VEE-CO18-U

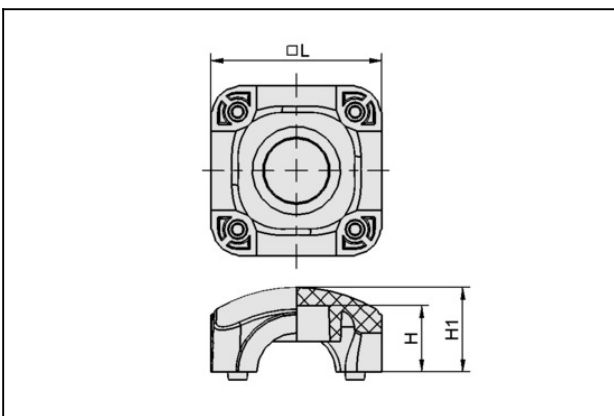
VEE connector for setting up nodal elements



Pipe diameter: 18 mm

Type: Connector upper shell

Design Data



Attribute	Value
H	15 mm
H1	19 mm
L	38 mm