

Basic module

VEE-QCF1

Part no.:10.01.36.00112

<https://www.schmalz.com/10.01.36.00112>

Homepage > Vacuum Technology for Automation > Vacuum Components > Area Gripping Systems and End Effectors > Vacuum End Effectors

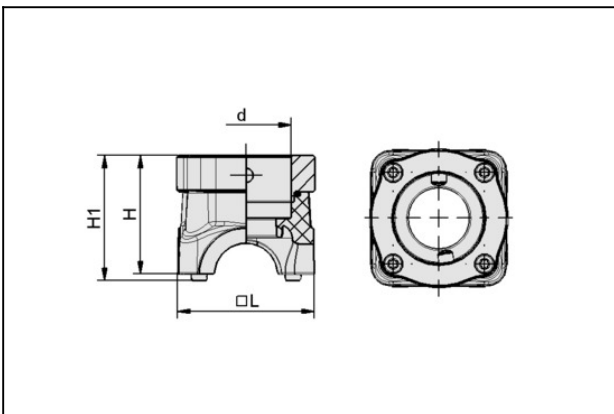
VEE > Basic Modules VEE-QCF > VEE-QCF1

VEE basic module with quick-change adapter and integrated vacuum line



Type: 1

Design Data



Attribute	Value
d	25.4 mm
H	33 mm
H1	34.8 mm
L	38 mm