

Basic module

VEE-QCF4

Part no.:10.01.36.00114

<https://www.schmalz.com/10.01.36.00114>

Homepage > Vacuum Technology for Automation > Vacuum Components > Area Gripping Systems and End Effectors > Vacuum End Effectors

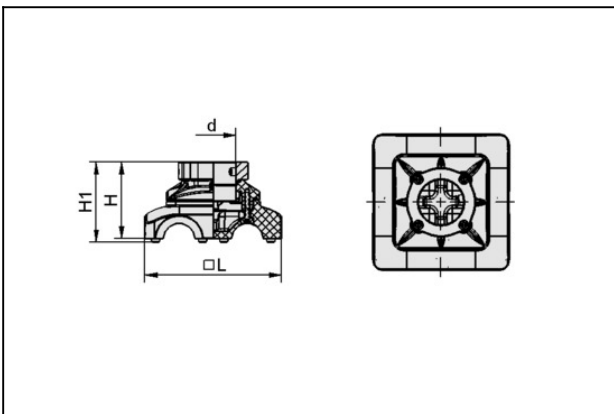
VEE > Basic Modules VEE-QCF > VEE-QCF4

VEE basic module with quick-change adapter and integrated vacuum line



Type: 4

Design Data



Attribute	Value
-----------	-------

d	25.4 mm
---	---------

H	42.9 mm
---	---------

H1	44.7 mm
----	---------

L	76 mm
---	-------