

Flange extension VEE-FE

VEE-FE 25.4x80

Part no.:10.01.36.00130

<https://www.schmalz.com/10.01.36.00130>

Homepage > Vacuum Technology for Automation > Vacuum Components > Area Gripping Systems and End Effectors > Vacuum End Effectors

VEE > Flange Extensions VEE-FE > VEE-FE 25.4x80

Flange extension

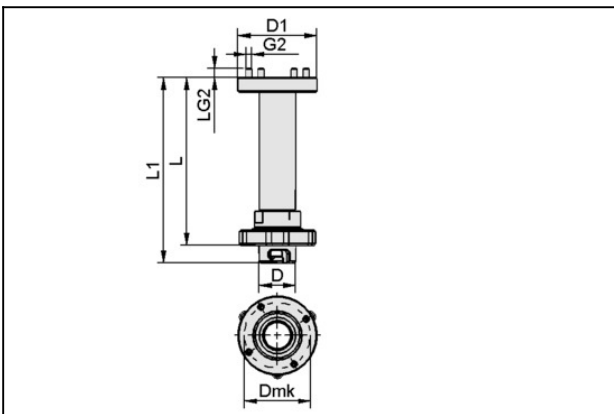


External diameter: 25.4 mm

Length: 80 mm

Extension to: 50 mm

Design Data



Attribute	Value
D	25.4 mm
Dmk	46 mm
G2	M4-M
L1	80 mm
L	68.5 mm
LG2	6.4 mm

Accessories

Contact to Schmalz

J. Schmalz GmbH | Johannes-Schmalz-Straße, 72293 Glatten, Deutschland | +49 7443 2403-102 | customercenter@schmalz.de

Flange extension VEE-FE

VEE-FE 25.4x80

Part no.:10.01.36.00130

<https://www.schmalz.com/10.01.36.00130>



VEE-RU 55x55 20 FL

Part no.10.01.36.00090

Rotary unit

External diameter D1: 55 mm

Length L1: 55 mm

Nominal flow rate: 20 m³/h

Pitch diameter D mk: 46 mm



VEE-RU 55x65 60 FL

Part no.10.01.36.00065

Rotary unit

External diameter D1: 55 mm

Length L1: 65 mm

Nominal flow rate: 60 m³/h

Pitch diameter D mk: 46 mm