

## Flange extension VEE-FE

### VEE-FE 25.4x130

Part no.:10.01.36.00109

<https://www.schmalz.com/10.01.36.00109>

Homepage > Vacuum Technology for Automation > Vacuum Components > Area Gripping Systems and End Effectors > Vacuum End Effectors

VEE > Flange Extensions VEE-FE > VEE-FE 25.4x130

## Flange extension

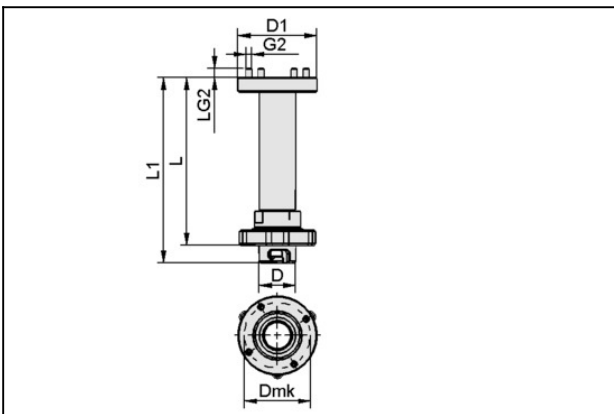


External diameter: 25.4 mm

Length: 130 mm

Extension to: 100 mm

## Design Data



| Attribute | Value    |
|-----------|----------|
| D         | 25.4 mm  |
| Dmk       | 46 mm    |
| G2        | M4-M     |
| L1        | 130 mm   |
| L         | 118.5 mm |
| LG2       | 6.4 mm   |

## Accessories

### Contact to Schmalz

J. Schmalz GmbH | Johannes-Schmalz-Straße, 72293 Glatten, Deutschland | +49 7443 2403-102 | [customercenter@schmalz.de](mailto:customercenter@schmalz.de)

## Flange extension VEE-FE

VEE-FE 25.4x130

Part no.:10.01.36.00109

<https://www.schmalz.com/10.01.36.00109>



### VEE-RU 55x55 20 FL

Part no.10.01.36.00090

Rotary unit

External diameter D1: 55 mm

Length L1: 55 mm

Nominal flow rate: 20 m<sup>3</sup>/h

Pitch diameter D mk: 46 mm



### VEE-RU 55x65 60 FL

Part no.10.01.36.00065

Rotary unit

External diameter D1: 55 mm

Length L1: 65 mm

Nominal flow rate: 60 m<sup>3</sup>/h

Pitch diameter D mk: 46 mm