

# Flange plate robot application

## FLAN-PL FAN-1

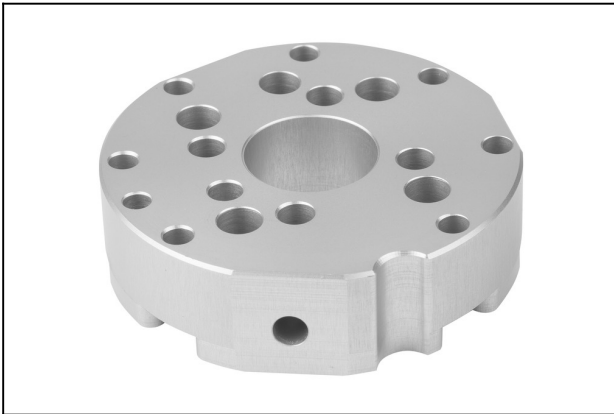
Part no.:10.03.01.00390

<https://www.schmalz.com/10.03.01.00390>

Homepage > Vacuum Technology for Automation > Vacuum Components > Area Gripping Systems and End Effectors > Vacuum End Effectors

VEE > Flange Plates FLAN-PL > FLAN-PL FAN-1

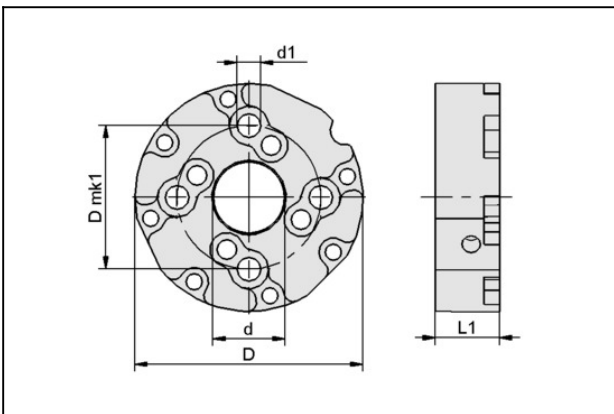
### Flange plate (round)



Type: FAN-1

Type: CR-4,7,15,35 iA

### Design Data



Attribute	Value
d	20 mm
d1	6.6 mm
D	63.5 mm
D mk1	40 mm
L1	18 mm