

Vacuum module

VEE-QCMV HV 2 07 13 SD

Part no.:10.01.36.00206

<https://www.schmalz.com/10.01.36.00206>

Homepage > Vacuum Technology for Automation > Vacuum Components > Area Gripping Systems and End Effectors > Vacuum End Effectors

VEE > Vacuum Modules VEE-QCMV > VEE-QCMV HV 2 07 13 SD

VEE vacuum module with integrated ejector module ecoPump SEP



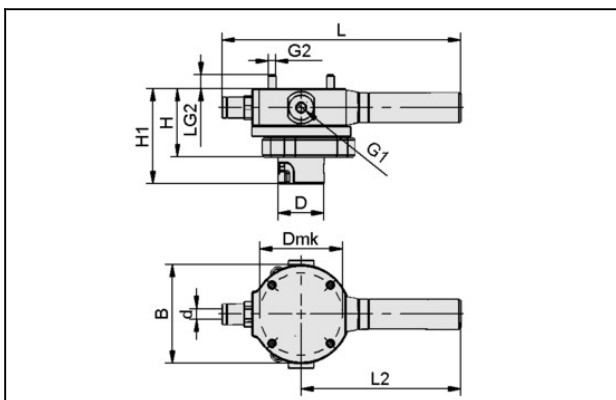
Design: High vacuum

Number of stages: 2

Nozzle size: 0,7 mm

with: Silencer

Design Data



Attribute	Value
B	55 mm
d	6 mm
D	25.4 mm
Dmk	46 mm
G1	G1/8"-F
G2	M4-M
H	37.9 mm
H1	51 mm
L	133.1 mm
L2	89 mm
LG2	7.6 mm

Vacuum module

VEE-QCMV HV 2 07 13 SD

Part no.:10.01.36.00206

<https://www.schmalz.com/10.01.36.00206>

Spare Parts



SD 16.5x51.5 SHC 13

Part no.10.02.01.01498

Silencer for vacuum generators

External diameter D: 16.5 mm

Length L: 51.5 mm

for: Schmalz Holder Cap

Size: 13



SEP HV 2 07 13

Part no.10.02.01.01394

Multistagenozzle as a cartridge

Shape: High vacuum

Number of stages: 2

Nozzle size: 0,7 mm

Hole diameter: 13 mm

Degree of evacuation: 85 %

Pressure range (operating pressure):

2.0 ... 6.0 bar

Pressure optimal: 4 bar

Suction rate (max): 42.5 l/min

Air consumption (during evac.):

23.5 l/min

Accessories



EMV 1.5 24V-DC 3/2 NC K-2P

Part no.10.05.01.00288

Solenoid valve EMV for direct control of compressed air

Nominal size: 1.5 mm

Voltage: 24V - DC

Function: 3/2-way valve

Control: Normally closed

Connecting thread: M5-M

contains: Cable 2

Cable length: 3 m

Vacuum module

VEE-QCMV HV 2 07 13 SD

Part no.:10.01.36.00206

<https://www.schmalz.com/10.01.36.00206>



FLAN-PL 55x7.5-AB1

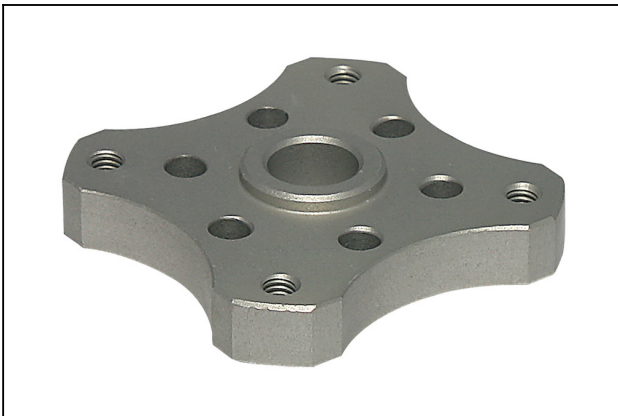
Part no.10.01.30.00015

Flange plate (round)

External diameter D: 55 mm

Length L: 7.5 mm

Size: AB1



FLAN-PL 55x7.5-EL1

Part no.10.01.30.00208

Flange plate (round)

External diameter D: 55 mm

Length L: 7.5 mm

Size: EL1



FLAN-PL 55x9.5-JP1

Part no.10.01.30.00194

Flange plate (round)

External diameter D: 55 mm

Length L: 9.5 mm

Size: JP1

Vacuum module

VEE-QCMV HV 2 07 13 SD

Part no.:10.01.36.00206

<https://www.schmalz.com/10.01.36.00206>



FLAN-PL 63x10.5-AD1

Part no.10.01.30.00016

Flange plate (round)

External diameter D: 63 mm

Length L: 10.5 mm

Size: AD1



FLAN-PL 63x11.5-UNI

Part no.10.01.30.00017

Flange plate (round)

External diameter D: 63 mm

Length L: 11.5 mm

Size: UNI



FLAN-PL 80x9-ST1

Part no.10.01.30.00167

Flange plate (round)

External diameter: 80 mm

Length: 9 mm

Size: ST1