

Vacuum module

VEE-QCMV HF 2 13 22 SD

Part no.:10.01.36.00169

<https://www.schmalz.com/10.01.36.00169>

Homepage > Vacuum Technology for Automation > Vacuum Components > Area Gripping Systems and End Effectors > Vacuum End Effectors

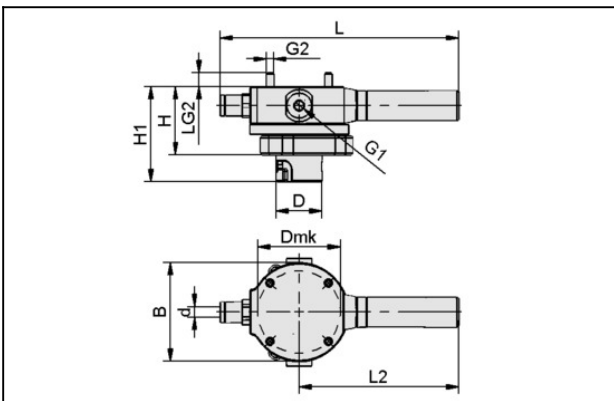
VEE > Vacuum Modules VEE-QCMV > VEE-QCMV HF 2 13 22 SD

VEE vacuum module with integrated ejector module ecoPump SEP



Design: High Flow
 Number of stages: 2
 Nozzle size: 1,3 mm
 with: Silencer

Design Data



Attribute	Value
B	55 mm
d	8 mm
D	25.4 mm
Dmk	46 mm
G1	G1/8"-F
G2	M4-M
H	51.9 mm
H1	65 mm
L	195.8 mm
L2	143 mm
LG2	8.6 mm

Vacuum module

VEE-QCMV HF 2 13 22 SD

Part no.:10.01.36.00169

<https://www.schmalz.com/10.01.36.00169>

Spare Parts



SD 29x70 SHC 22

Part no.10.02.01.01517

Silencer for vacuum generators

External diameter D: 29 mm

Length L: 70 mm

for: Schmalz Holder Cap

Size: 22



SEP HF 2 13 22

Part no.10.02.01.01347

Multistagenozzle as a cartridge

Shape: High Flow

Number of stages: 2

Nozzle size: 1,3 mm

Hole diameter: 22 mm

Degree of evacuation: 61 %

Pressure range (operating pressure):

2.0 ... 6.0 bar

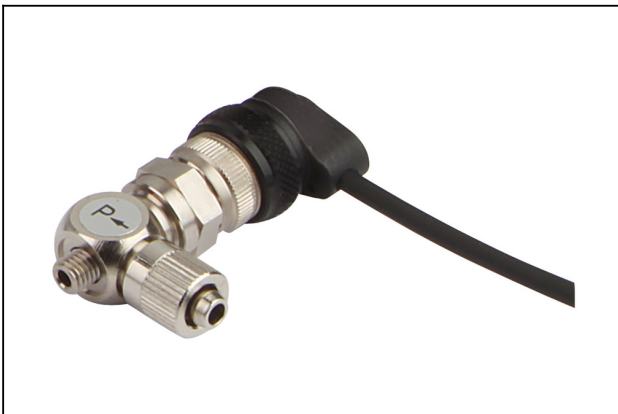
Pressure optimal: 4 bar

Suction rate (max): 175.3 l/min

Air consumption (during evac.):

74 l/min

Accessories



EMV 1.5 24V-DC 3/2 NC K-2P

Part no.10.05.01.00288

Solenoid valve EMV for direct control of compressed air

Nominal size: 1.5 mm

Voltage: 24V - DC

Function: 3/2-way valve

Control: Normally closed

Connecting thread: M5-M

contains: Cable 2

Cable length: 3 m

Vacuum module

VEE-QCMV HF 2 13 22 SD

Part no.:10.01.36.00169

<https://www.schmalz.com/10.01.36.00169>



FLAN-PL 55x7.5-AB1

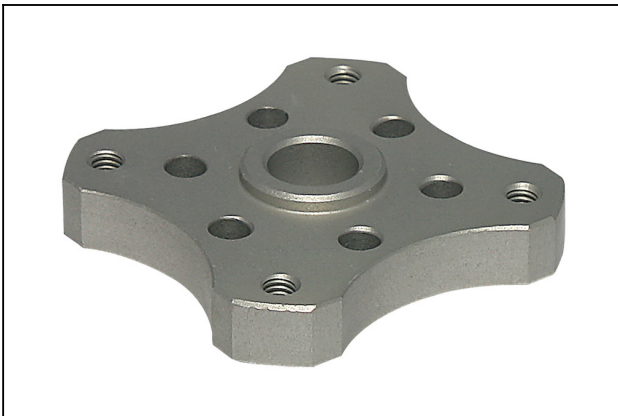
Part no.10.01.30.00015

Flange plate (round)

External diameter D: 55 mm

Length L: 7.5 mm

Size: AB1



FLAN-PL 55x7.5-EL1

Part no.10.01.30.00208

Flange plate (round)

External diameter D: 55 mm

Length L: 7.5 mm

Size: EL1



FLAN-PL 55x9.5-JP1

Part no.10.01.30.00194

Flange plate (round)

External diameter D: 55 mm

Length L: 9.5 mm

Size: JP1

Vacuum module

VEE-QCMV HF 2 13 22 SD

Part no.:10.01.36.00169

<https://www.schmalz.com/10.01.36.00169>



FLAN-PL 63x10.5-AD1

Part no.10.01.30.00016

Flange plate (round)

External diameter D: 63 mm

Length L: 10.5 mm

Size: AD1



FLAN-PL 63x11.5-UNI

Part no.10.01.30.00017

Flange plate (round)

External diameter D: 63 mm

Length L: 11.5 mm

Size: UNI



FLAN-PL 80x9-ST1

Part no.10.01.30.00167

Flange plate (round)

External diameter: 80 mm

Length: 9 mm

Size: ST1