

Rotary Units

VEE-RU 55x55 20 FL

Part no.:10.01.36.00090

<https://www.schmalz.com/10.01.36.00090>

Homepage > Vacuum Technology for Automation > Vacuum Components > Area Gripping Systems and End Effectors > Vacuum End Effectors

VEE > Rotary Units VEE-RU > VEE-RU 55x55 20 FL

Rotary unit



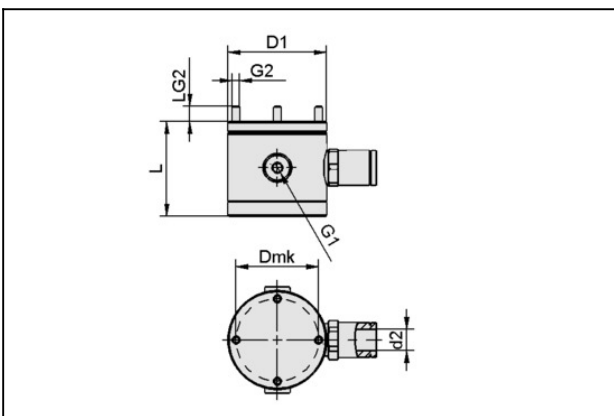
External diameter D1: 55 mm

Length L1: 55 mm

Nominal flow rate: 20 m³/h

Pitch diameter D mk: 46 mm

Design Data



Attribute	Value
d2	12 mm
Dmk	46 mm
G1	G1/8"-F
G2	M4-M
LG2	7.7 mm
L	55 mm

Spare Parts

Contact to Schmalz

J. Schmalz GmbH | Johannes-Schmalz-Straße, 72293 Glatten, Deutschland | +49 7443 2403-102 | customercenter@schmalz.de

Rotary Units

VEE-RU 55x55 20 FL

Part no.:10.01.36.00090

<https://www.schmalz.com/10.01.36.00090>



STV-GE G1/4-AG 12

Part no.10.08.02.00208

Screw plug connection, straight

Thread G1: G1/4"-M

External hose diameter: 12 mm

Material: Brass

Surface: nickel plated

Ambient temperature: -20 ... 80 °C