

Flange module

VEE-QCM 65

Part no.:10.01.36.00123

<https://www.schmalz.com/10.01.36.00123>

Homepage > Vacuum Technology for Automation > Vacuum Components > Area Gripping Systems and End Effectors > Vacuum End Effectors

VEE > Flange Modules VEE-QCM > VEE-QCM 65

VEE flange module with quick-change adapter and integrated vacuum line



External diameter: 25 mm

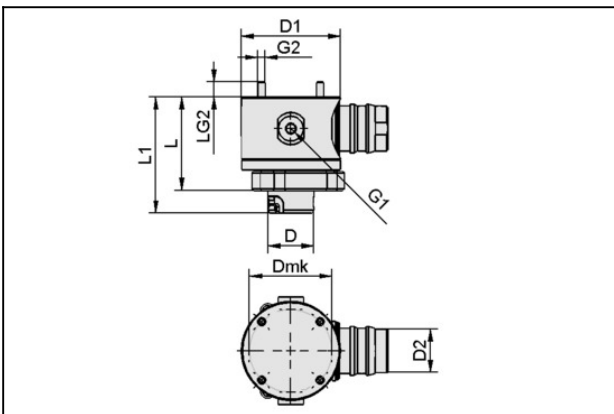
Length: 65 mm

Pitch diameter: 46 mm

Number of holes: 8

Flow rate: 60 m³/h

Design Data



| Attribute | Value |
|-----------|---------|
| D | 25.4 mm |
| Dmk | 46 mm |
| G1 | G1/8"-F |
| G2 | M4-M |
| L | 54 mm |
| L1 | 65 mm |
| LG2 | 8.6 mm |

Technical Data

| Attribute | Value |
|------------|--------------------|
| Connection | Bayonet connection |

Contact to Schmalz

J. Schmalz GmbH | Johannes-Schmalz-Straße, 72293 Glatten, Deutschland | +49 7443 2403-102 | customercenter@schmalz.de

Flange module

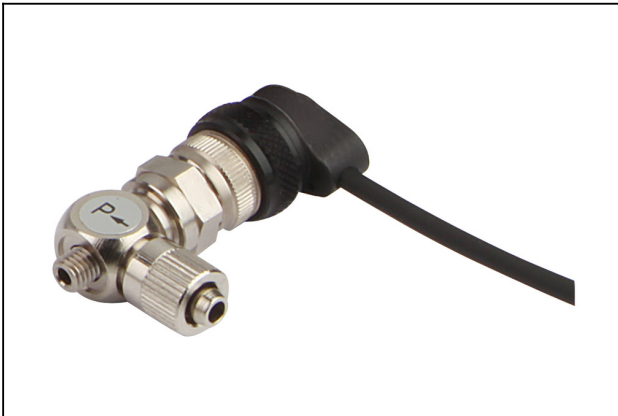
VEE-QCM 65

Part no.:10.01.36.00123

<https://www.schmalz.com/10.01.36.00123>



Accessories



EMV 1.5 24V-DC 3/2 NC K-2P

Part no.10.05.01.00288

Solenoid valve EMV for direct control of compressed air

Nominal size: 1.5 mm

Voltage: 24V - DC

Function: 3/2-way valve

Control: Normally closed

Connecting thread: M5-M

contains: Cable 2

Cable length: 3 m



FLAN-PL 55x7.5-AB1

Part no.10.01.30.00015

Flange plate (round)

External diameter D: 55 mm

Length L: 7.5 mm

Size: AB1



FLAN-PL 55x7.5-EL1

Part no.10.01.30.00208

Flange plate (round)

External diameter D: 55 mm

Length L: 7.5 mm

Size: EL1

Contact to Schmalz

J. Schmalz GmbH | Johannes-Schmalz-Straße, 72293 Glatten, Deutschland | +49 7443 2403-102 | customercenter@schmalz.de

Flange module

VEE-QCM 65

Part no.:10.01.36.00123

<https://www.schmalz.com/10.01.36.00123>



FLAN-PL 55x9.5-JP1

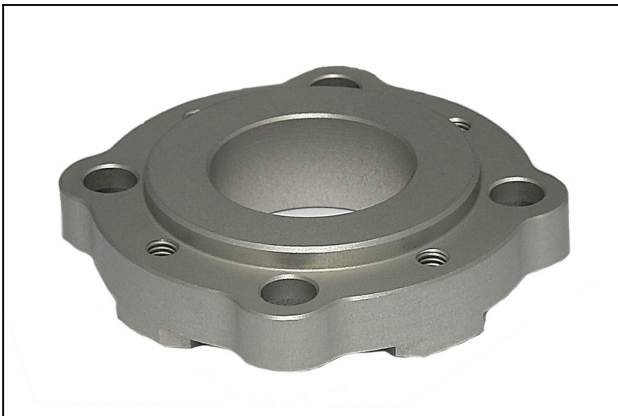
Part no.10.01.30.00194

Flange plate (round)

External diameter D: 55 mm

Length L: 9.5 mm

Size: JP1



FLAN-PL 63x10.5-AD1

Part no.10.01.30.00016

Flange plate (round)

External diameter D: 63 mm

Length L: 10.5 mm

Size: AD1



FLAN-PL 63x11.5-UNI

Part no.10.01.30.00017

Flange plate (round)

External diameter D: 63 mm

Length L: 11.5 mm

Size: UNI

Flange module

VEE-QCM 65

Part no.:10.01.36.00123

<https://www.schmalz.com/10.01.36.00123>



FLAN-PL 80x9-ST1

Part no.10.01.30.00167

Flange plate (round)

External diameter: 80 mm

Length: 9 mm

Size: ST1