

## vacuum area gripper

### FXP-S-SVK 442 5R18 O10O10 F

Part no.:10.01.38.00923

<https://www.schmalz.com/10.01.38.00923>

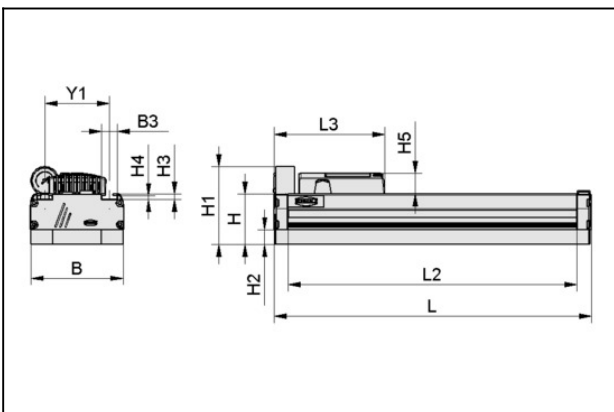
Homepage > Vacuum Technology for Automation > Vacuum Components > Area Gripping Systems and End Effectors > Vacuum Area Gripping System FXP/FMP > Area Gripping Systems FXP > FXP-S-SVK 442 5R18 O10O10 F

## Vacuum area gripping system with integrated pneumatic vacuum ball check valves



Length L: 442 mm  
 Width B: 130 mm  
 Arrangement: 5 rows, 18mm  
 Material-Type: Foam O, Height 2x10 mm  
 Flat recess: slot  
 with: Filter  
 with: Multi-stage ejector SEMP 50  
 with: 1x Contr.-val. vacuum/blow off  
 Interface Connection cable:  
 Male connect M12, 4 pol  
 Type: Switches to plus  
 Voltage: 24V - DC  
 Weight: 2.8 kg  
 Air consumption: 250 l/min

## Design Data



| Attribute | Value   |
|-----------|---------|
| B         | 130 mm  |
| B3        | 21.6 mm |
| H         | 70 mm   |
| H1        | 109 mm  |
| H2        | 20 mm   |
| H3        | 7.7 mm  |
| H4        | 5.5 mm  |
| H5        | 28 mm   |
| Y1        | 90 mm   |

## Contact to Schmalz

J. Schmalz GmbH | Johannes-Schmalz-Straße, 72293 Glatten, Deutschland | +49 7443 2403-102 | [customercenter@schmalz.de](mailto:customercenter@schmalz.de)

# vacuum area gripper

## FXP-S-SVK 442 5R18 O10O10 F

Part no.:10.01.38.00923

<https://www.schmalz.com/10.01.38.00923>



| Attribute  | Value  |
|------------|--------|
| L          | 442 mm |
| L2         | 402 mm |
| L3         | 154 mm |
| Valve type | SVK    |

---

### Technical Data

| Attribute       | Value                          |
|-----------------|--------------------------------|
| Arrangement     | 5R18                           |
| Material type   | Foam O, Height 2x10 mm         |
| Air consumption | 250.0                          |
| Sealing element | Sealing Foam                   |
| Add. function   | Filter                         |
| Add. function   | 1x Contr.-val. vacuum/blow off |
| Weight          | 2.8 kg                         |

Sound level: 74 dB(A) Max. degree of evacuation 55%

---

### Accessories

#### Contact to Schmalz

J. Schmalz GmbH | Johannes-Schmalz-Straße, 72293 Glatten, Deutschland | +49 7443 2403-102 | [customercenter@schmalz.de](mailto:customercenter@schmalz.de)

## vacuum area gripper

FXP-S-SVK 442 5R18 O10O10 F

Part no.:10.01.38.00923

<https://www.schmalz.com/10.01.38.00923>



### ASK B-M12-5 5000 K-5P

Part no.21.04.05.00080

Connection cable

Interface Connection 1:

Fem connect M12, 5 pol

Cable length: 5000 mm

Interface Connection 2: Cable 5

Material: PUR-Cable

Shape: Straight



### ASK WB-M8-4 5000 K-4P

Part no.10.06.02.00032

Connection cable

Interface Connection 1:

Elbow fem con M8, 4 pol

Cable length: 5000 mm

Interface Connection 2: Cable 4

Material: PUR-Cable



### FLAN-PL 120x85x10 ST FLGR

Part no.10.01.10.05701

Flange plate

Length L: 120 mm

Width B: 85 mm

Height H: 10 mm

Material: Steel

for: Large-area vacuum gripper

## vacuum area gripper

FXP-S-SVK 442 5R18 O10O10 F

Part no.:10.01.38.00923

<https://www.schmalz.com/10.01.38.00923>



### FLK G1/2-IG G1/2-AG

Part no.10.01.03.00175

Flexible suction cup mounting for adaptation to sloping surfaces

Thread G1: G1/2"-F

Thread G2: G1/2"-M

Ambient temperature: 0 ... 70 °C



### FST-FLEX 25 HD1 G1/2-AG G3/8-IG

Part no.10.01.10.05697

Spring plunger with both-way damping and height compensation, heavy-duty

Spring stroke Z: 25 mm

Shape: Heavy Duty 1 sp. plug  
for: Mounting section



### FST-FLEX 25 HD2 G1/2-AG G3/8-IG

Part no.10.01.10.05695

Spring plunger with both-way damping and height compensation, heavy-duty

Spring stroke Z: 25 mm

Shape: Heavy Duty 2 sp. plug  
for: Mounting section

## vacuum area gripper FXP-S-SVK 442 5R18 O10O10 F

Part no.:10.01.38.00923

<https://www.schmalz.com/10.01.38.00923>



### **FST-FLEX 50 HD1 G1/2-AG G3/8-IG**

Part no.10.01.10.05687

Spring plunger with both-way damping and height compensation, heavy-duty

Spring stroke Z: 50 mm

Shape: Heavy Duty 1 sp. plug  
for: Mounting section



### **FST-FLEX 50 HD2 G1/2-AG G3/8-IG**

Part no.10.01.10.05168

Spring plunger with both-way damping and height compensation, heavy-duty

Spring stroke Z: 50 mm

Shape: Heavy Duty 2 sp. plug  
for: Mounting section



### **FST-FLEX 75 HD1 G1/2-AG G3/8-IG**

Part no.10.01.10.05698

Spring plunger with both-way damping and height compensation, heavy-duty

Spring stroke Z: 75 mm

Shape: Heavy Duty 1 sp. plug  
for: Mounting section

## vacuum area gripper

### FXP-S-SVK 442 5R18 O10O10 F

Part no.:10.01.38.00923

<https://www.schmalz.com/10.01.38.00923>



#### **FST-FLEX 75 HD2 G1/2-AG G3/8-IG**

Part no.10.01.10.05696

Spring plunger with both-way damping and height compensation, heavy-duty

Spring stroke Z: 75 mm

Shape: Heavy Duty 2 sp. plug  
for: Mounting section



#### **FST-STARR 25 HD1 G1/2-AG G3/8-IG**

Part no.10.01.10.05810

Spring plunger with both-way damping and height compensation, heavy-duty

Spring stroke Z: 25 mm

Shape: Heavy Duty 1 spr. plunger  
for: Mounting section



#### **FST-STARR 25 HD2 G1/2-AG G3/8-IG**

Part no.10.01.10.05806

Spring plunger with both-way damping and height compensation, heavy-duty

Spring stroke Z: 25 mm

Shape: Heavy Duty 2 spr. plunger  
for: Mounting section

## vacuum area gripper

### FXP-S-SVK 442 5R18 O10O10 F

Part no.:10.01.38.00923

<https://www.schmalz.com/10.01.38.00923>



#### **FST-STARR 50 HD1 G1/2-AG G3/8-IG**

Part no.10.01.10.05809

Spring plunger with both-way damping and height compensation, heavy-duty

Spring stroke Z: 50 mm

Shape: Heavy Duty 1 spr. plunger  
for: Mounting section



#### **FST-STARR 50 HD2 G1/2-AG G3/8-IG**

Part no.10.01.10.05805

Spring plunger with both-way damping and height compensation, heavy-duty

Spring stroke Z: 50 mm

Shape: Heavy Duty 2 spr. plunger  
for: Mounting section



#### **FST-STARR 75 HD1 G1/2-AG G3/8-IG**

Part no.10.01.10.05808

Spring plunger with both-way damping and height compensation, heavy-duty

Spring stroke Z: 75 mm

Shape: Heavy Duty 1 spr. plunger  
for: Mounting section

## vacuum area gripper

### FXP-S-SVK 442 5R18 O10O10 F

Part no.:10.01.38.00923

<https://www.schmalz.com/10.01.38.00923>



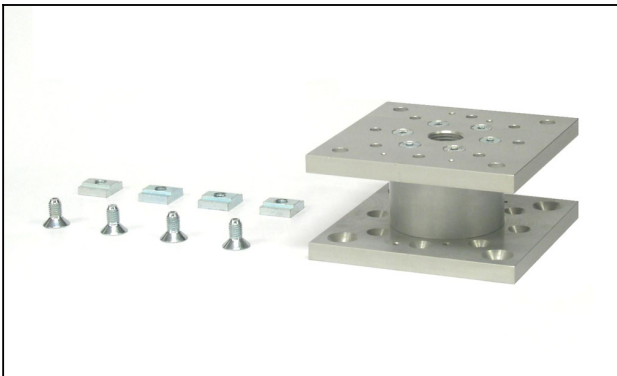
#### **FST-STARR 75 HD2 G1/2-AG G3/8-IG**

Part no.10.01.10.05803

Spring plunger with both-way damping and height compensation, heavy-duty

Spring stroke Z: 75 mm

Shape: Heavy Duty 2 spr. plunger  
for: Mounting section



#### **MOD-FLAN 120x120x60 FXP-FMP**

Part no.10.01.21.00244

Flange module

Length L: 120 mm

Width B: 120 mm

Height H: 60 mm

for: Large-area vac grip FXP-FMP



#### **SET FXC-FMC**

Part no.10.01.21.01291

Mounting set

for: Large-area vac grip FXC-FMC

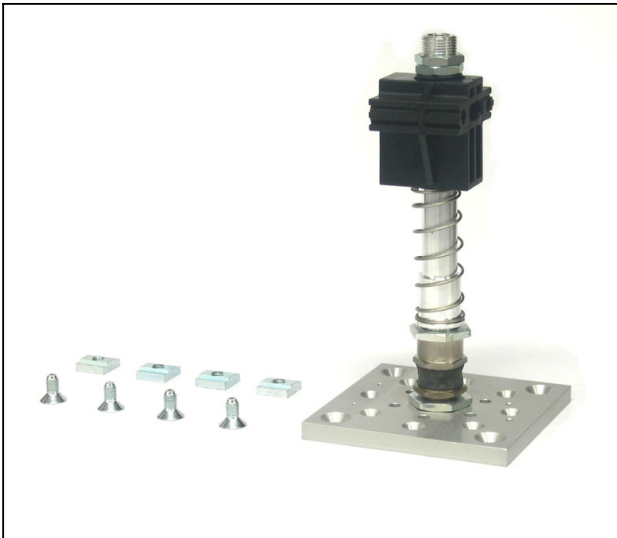


## vacuum area gripper

FXP-S-SVK 442 5R18 O10O10 F

Part no.:10.01.38.00923

<https://www.schmalz.com/10.01.38.00923>

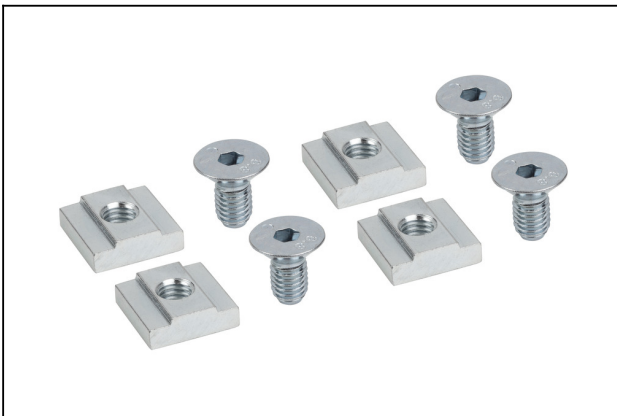


### SET FXP-FMP

Part no.10.01.21.02407

Mounting set

for: Large-area vac grip FXP-FMP



### SET FXP-FMP 4xNUT-STEI

Part no.10.01.21.00243

Mounting set

for: area gripper FXP-FMP

Size: 4xNUT-STEI

Connection 1: M8



### VAM 40 V U

Part no.10.07.02.00046

Vacuum gauge (manometer) for analogue measurement and monitoring of the vacuum

External diameter D: 40 mm

Measuring range: -1.00 ... 0.00 bar

Shape: Connection at bottom

Vacuum connection: G1/8"-M

## vacuum area gripper

### FXP-S-SVK 442 5R18 O10O10 F

Part no.:10.01.38.00923

<https://www.schmalz.com/10.01.38.00923>



#### VSL 12-9 PU

Part no.10.07.09.00037

Hose for vacuum and compressed-air systems

External diameter D: 12 mm

Internal diameter d: 9 mm

Length (max): 50 m

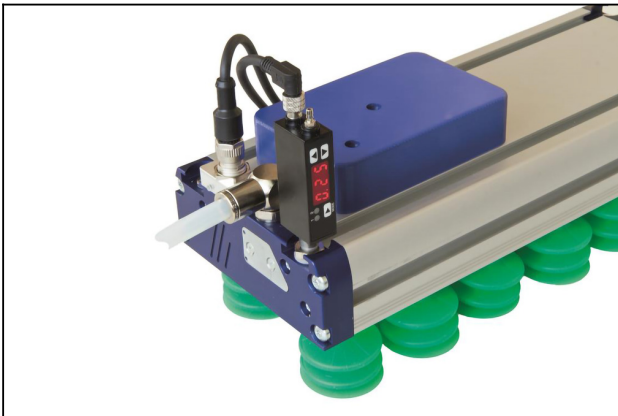
Material: PU

Installation radius (min): 70 mm

Pressure range (operating pressure):

-0.95 ... 10.00 bar

Ambient temperature: -20 ... 90 °C



#### VS-MONT 50x15.8x25 VS

Part no.10.06.02.00343

Vacuum switch (inst)

Length L: 50 mm

Width B: 15.8 mm

Height H: 25 mm

for: Vacuum switch

SO: Standing mountable



#### VS-MONT 73x25x34.5 VS

Part no.10.01.10.00431

Vacuum switch (inst)

Length L: 73 mm

Width B: 25 mm

Height H: 34.5 mm

for: Vacuum switch

SO: With bracket (lying)

## vacuum area gripper FXP-S-SVK 442 5R18 O10O10 F

Part no.:10.01.38.00923

<https://www.schmalz.com/10.01.38.00923>



### **VS-MONT 76.5x19 VSi FXP-FMP**

Part no.10.01.38.02485

Vacuum switch (inst)

Length L: 76.5 mm

Width B: 19 mm

with: Vacuum and pressure switch

for: area gripper FXP-FMP

SO: Vertical mountable