

Vacuum switch (inst)

VS-MONT 76.5x19 VSi FXP-FMP

Part no.:10.01.38.02485

<https://www.schmalz.com/10.01.38.02485>

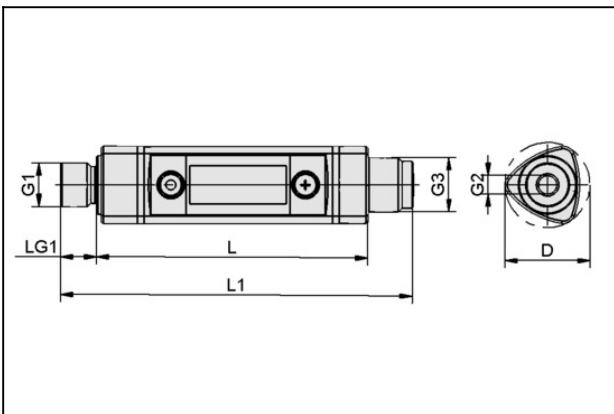
Homepage > Vacuum Technology for Automation > Vacuum Components > Area Gripping Systems and End Effectors > Vacuum Area Gripping System FXP/FMP > VS-MONT 76.5x19 VSi FXP-FMP

Vacuum switch (inst)



Length L: 76.5 mm
 Width B: 19 mm
 with: Vacuum and pressure switch
 for: area gripper FXP-FMP
 SO: Vertical mountable

Design Data



Attribute	Value
L	76.5 mm

Technical Data

Attribute	Value
Weight	100 g

Contact to Schmalz

J. Schmalz GmbH | Johannes-Schmalz-Straße, 72293 Glatten, Deutschland | +49 7443 2403-102 | customercenter@schmalz.de

Vacuum switch (inst)

VS-MONT 76.5x19 VSi FXP-FMP

Part no.:10.01.38.02485

<https://www.schmalz.com/10.01.38.02485>

