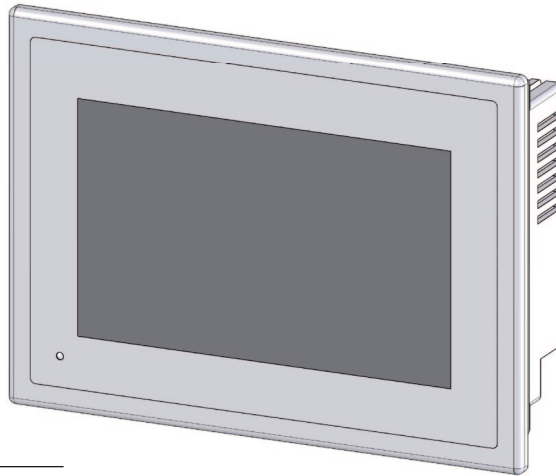


Easy Touch Control ETC5000



SIKO GmbH

Address
 Weihermattenweg 2
 79256 Buchenbach

Telephone
 +49 7661 394-0

Fax
 +49 7661 394-388

eMail
 info@siko.de
Internet
 www.siko.de

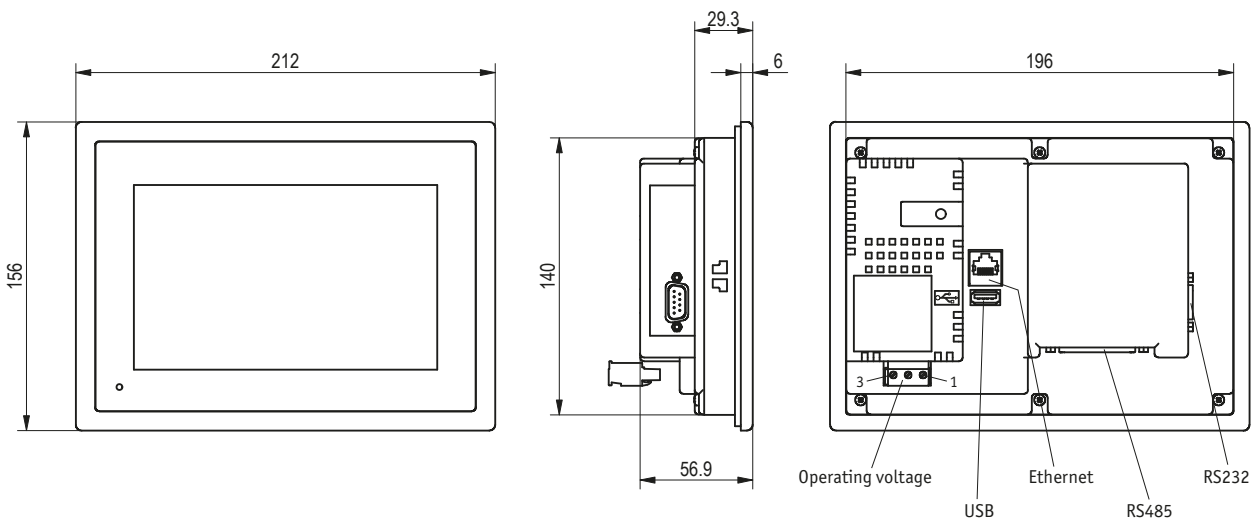
Features:

- Control system for Position Indicators and Actuators
- Intuitive touchscreen user interface for quick size changeover
- Up to 31 devices can be controlled
- Individual or block positioning
- RS485 und USB Interface

Features	Order text	Additional information
Display diagonal	7 A 7 inch	
Protection	IP65 B front	
Interface/protocol	S3/09 C RS485 / SIKONETZ5	
Software	S D	standard

Your ordering: - - - -

Easy Touch Control ETC5000



**Pin assignment
Operating voltage**

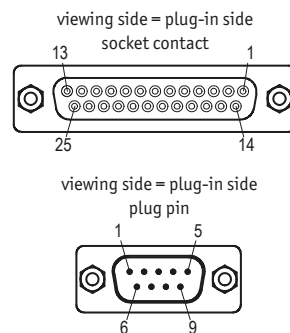
Pin	Designation
1	+UB
2	GND
3	PE

Pin assignment RS485

Pin	Designation
1	GND
7	GND
12	DÜA
13	DÜB
21	+5 V Out (for level setting)
2-6, 8, 14-20, 22, 24, 25	do not connect
9-11, 16, 17, 23	N.C.

Pin assignment RS232

Pin	Designation
1	DCD
2	RD
3	TD
4	DTR
5	SG
6	DSR
7	RTS
8	CTS
9	RI



Technical Data

Mechanical Data:

Housing	plastic
Weight	1,3 kg

Electrical data:

Operating voltage	11 ... 36 V DC	
Power consumption	12 W	
Display	7", TFT wide touch screen	resolution 800 x 480
Colors	65536	
Background lighting	LED	

Ambient conditions:

Operating temperature	0 ... +50 °C	
Storage temperature	-20 ... +60 °C	
Relative humidity	10 % ... 90 %	condensation not permitted
Protection category	IP65 front, IP20 housing	EN 60529
Shock resistance	15 g / 11ms	
Vibration resistance	9 ... 150 Hz; 9,8 m/s ² X, Y & Z	

Additional information

Accessory	KA485ETC	Adapter RS485
------------------	----------	---------------