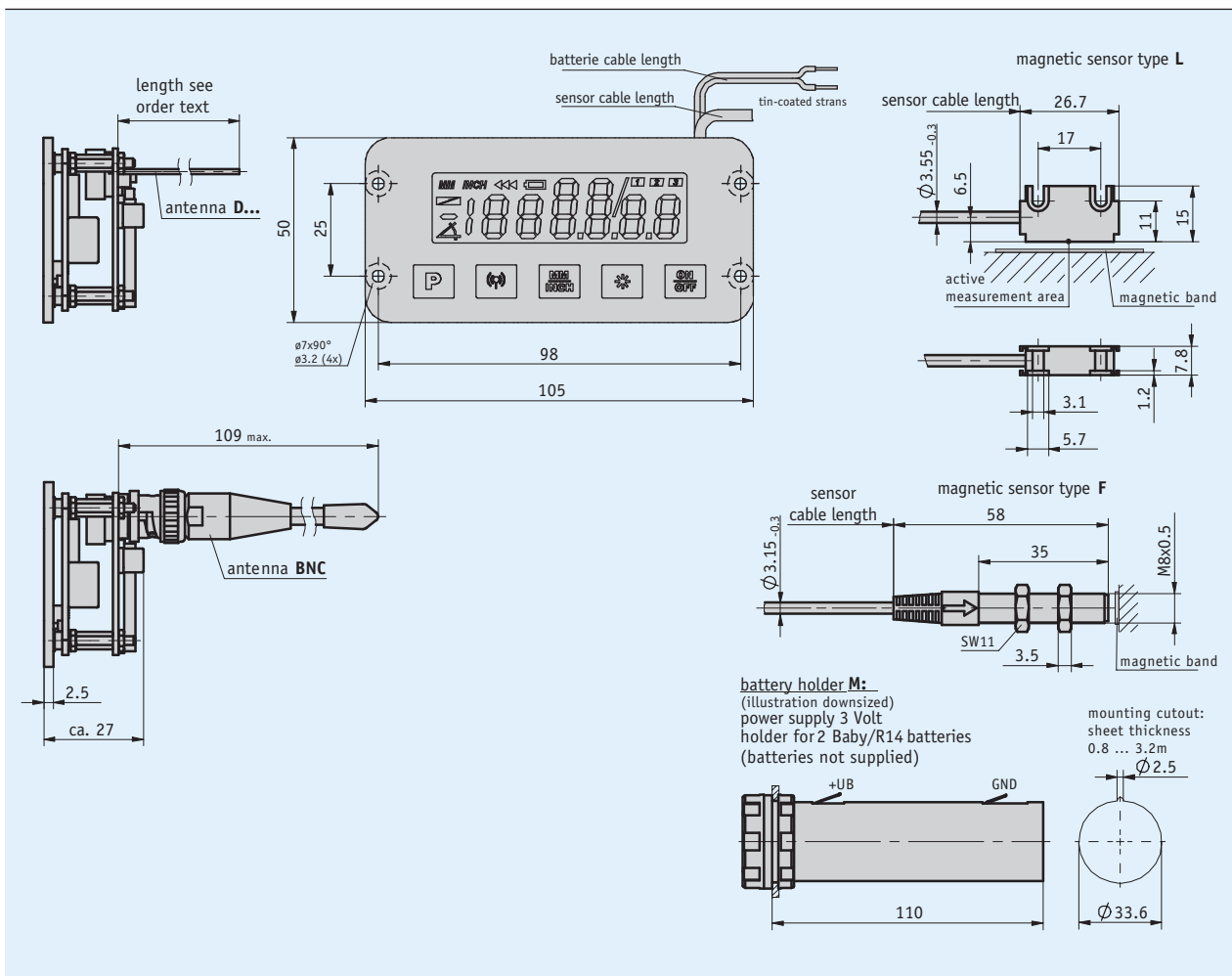


Profile

- Display accuracy max. 10 µm or 1/64 inch
- Repeat accuracy max. ±0.01 mm
- Low-power LCD with decimal and fraction-inch function
- Reading distance ≤2 mm
- Battery-buffered memory
- Battery operation
- Works with receiver module RTX500



Mechanical data

Feature	Technical data	Additional information
Housing design	installation kit	
Sensor/band reading distance	≤2 mm	

Electrical data

Feature	Technical data	Additional information
Operating voltage	2 ... 3.5 V DC	
Current consumption	≤600 µA	at 3 V DC; display mode
	27 ... 55 mA	at 3 V DC; send mode
Display/dispaly range	-999999 ... 999999	
Interface	RS232, RS485	see RTX500 receiver side
Radio frequency	868 ... 870 MHz	
	902 ... 928 MHz	USA
Type of connection	strand led outwards	supply, external battery holder

System data

Feature	Technical data	Additional information
Resolution	0.01, 0.05, 0.1, 1 mm	
	0.001, 0.01, 1/16, 1/32, 1/64 inch	
System accuracy	±(0.1 + 0.01 x L) mm; L in m	
Repeat accuracy	±0.01 mm	±1 digit
Travel speed	≤5 m/s	

Ambient conditions


Feature	Technical data	Additional information
Ambient temperature	+0 ... 60 °C	
Storage temperature	-20 ... 70 °C	
Relative humidity	≤95 %	condensation inadmissible
EMC	EN 61000-6-2	interference resistance / immission
	EN 61000-6-4	emitted interference / emission
Protection category	IP40 display	EN 60529
	IP67 sensor	EN 60529

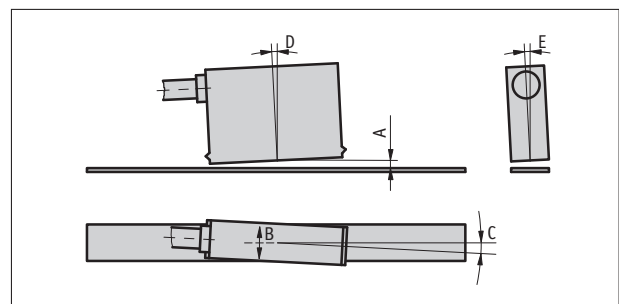
Pin assignment

Signal	Cable color
GND	black
+UB	red

Hint for mounting

A, Sensor/tape reading distance	≤2 mm
B, Lateral offset	±2 mm
C, Alignment error	±3°
D, Longitudinal inclination	±1°
E, Lateral inclination	±3°

 *The length of the cable between the sensor and connector cannot be subsequently increased or decreased.*



Symbolic representation

Order

Ordering information

one or more system components are required:

Radio transmitter/receiver RTX500
Magnetic band MB500/1

www.siko-global.com
www.siko-global.com

Ordering table

Feature	Ordering data	Specification	Additional information
Magnetic sensor	L	L design	
	F	F design	
Sensor cable length	...	0.2 ... 2.0 m, in intervals of 0.1 m	
Battery cable length	...	0.3 ... 2.0 m, in intervals of 0.1 m	
Operating mode	TX	send	
	RX	receive	
Software	S		
	SW05	bidirectional communication	
Battery holder	M	with	
	O	without	
Antenna	BNC		
	D82	wire length 82 mm	radio frequency 915
	D86	wire length 86 mm	radio frequency 869
	D120	wire length 120 mm	radio frequency 869 + 915
Radio frequency	869	869 MHz	worldwide except USA
	915	915 MHz	USA

Order key

MA503WL - ES - [] - [] - [] - L - [] - [] - SF-83606 - [] - [] - []

A
B
C
D
E
F
G
H

Scope of delivery: MA503WL, Mounting instructions, Sensor fastening set