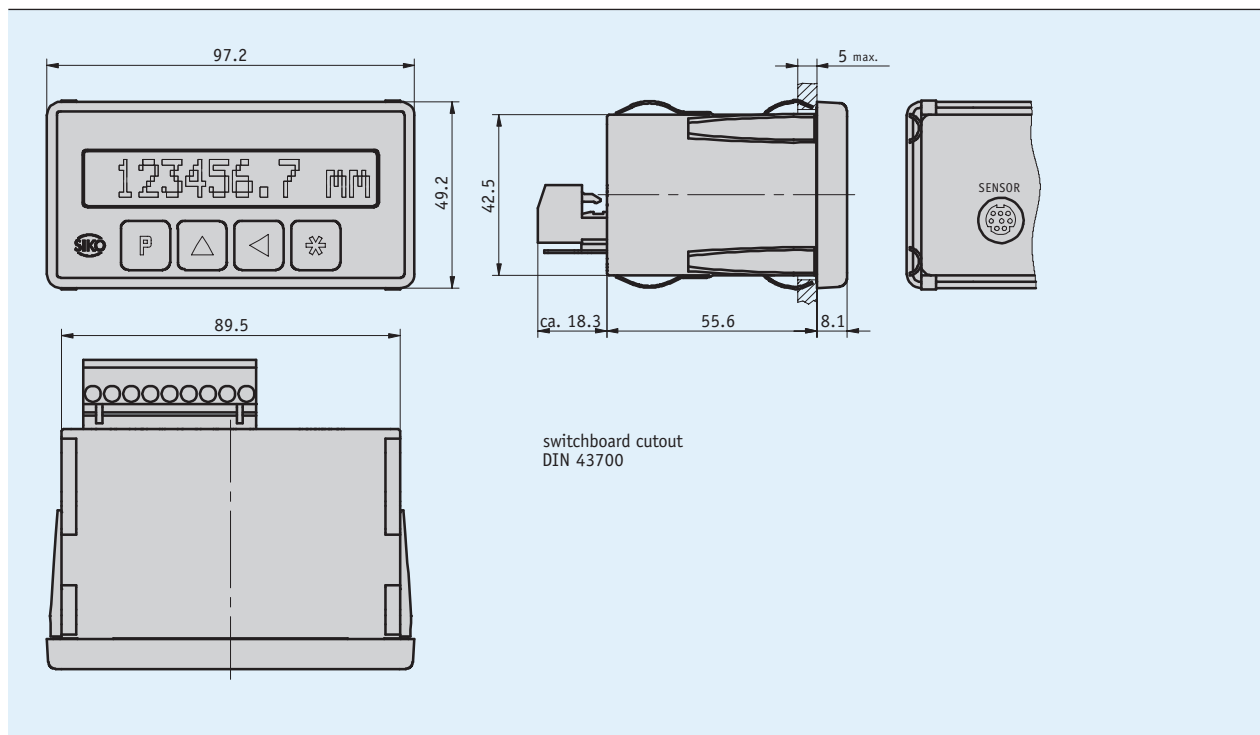


Profile

- Display accuracy max. 10 µm
- Repeat accuracy max. ±0.01 mm
- High-contrast LCD, 12-digit LCD dot matrix
- Incremental measurement and calibration function
- Direct reference/offset value input
- Calibration input
- Works with sensor MSA
- Option: serial interface RS232/RS485
- Option: TG01 bench housing



Mechanical data

Feature	Technical data	Additional information
Housing design	built-in housing, plastic	switchboard cutout $92^{+0.8} \times 45^{+0.6}$ IEC 61554

Electrical data

Feature	Technical data	Additional information
Operating voltage	24 V DC ±20 %	
	115 V AC ±10 %	
	230 V AC ±10 %	
Current consumption	70 mA	at 24 V DC
	20 mA	at 115 V AC
	10 mA	at 230 V AC
Display/disply range	12-digit, LCD dot matrix, backlit	-9999999 ... 9999999, arithmetic signs, units
Switching outputs	with or without	2x 30 V ≤100 mA
Interface	without, RS232, RS485	
Type of connection	connector	9-pole, (supply, switching output, interface/calibration input)
	mini-DIN	8-pole, 1x socket (MSA sensor)

System data

Feature	Technical data	Additional information
Resolution	0.01, 0.1, 1, 10 mm	programmable angle display
	0.001, 0.01, 0.1, 1 inch	
System accuracy	±(0.05 + 0.03 x L) mm; L in m	at T _U = 20 °C
Repeat accuracy	±0.01 mm	±1 increment
Travel speed	≤5 m/s	

Ambient conditions

Feature	Technical data	Additional information
Ambient temperature	0 ... 50 °C	
Storage temperature	-20 ... 80 °C	
Relative humidity	≤95 %	condensation inadmissible
EMC	EN 61000-6-2	interference resistance / immission
	EN 61000-6-4	emitted interference / emission
Protection category	IP40 whole device	EN 60529
	IP60 at the front with switchboard installation	EN 60529

Pin assignment

Signal	PIN
Reset	1
+24 V DC; ≤50 mA (calibration input)	2
GND	3
nc	4
RS232 (RXD), RS485 (DÚB), actor A2	5
RS232 (TXD), RS485 (DÚA), actor A1	6
PE	7
N (230/115 V AC); GND (24 V DC)	8
L (230/115 V AC); +UB (24 V DC)	9

Order

■ **Ordering information**

one or more system components are required:

Magnetic sensor MSA

www.siko-global.com

■ **Ordering table**

Feature	Ordering data	Specification	Additional information
Operating voltage	1	230 V AC	
	2	115 V AC	
	4	24 V DC	
Interface/protocol	XX/XX	without	
	S1/00	RS232 with standard protocol	
	S3/00	RS485 with standard protocol	
Switching output	SM	with	only with XX/XX interface
	S0	without	

■ **Order key**



Scope of delivery: MA505, Mounting instructions

Accessories:
Table-top housing TG01

www.siko-global.com