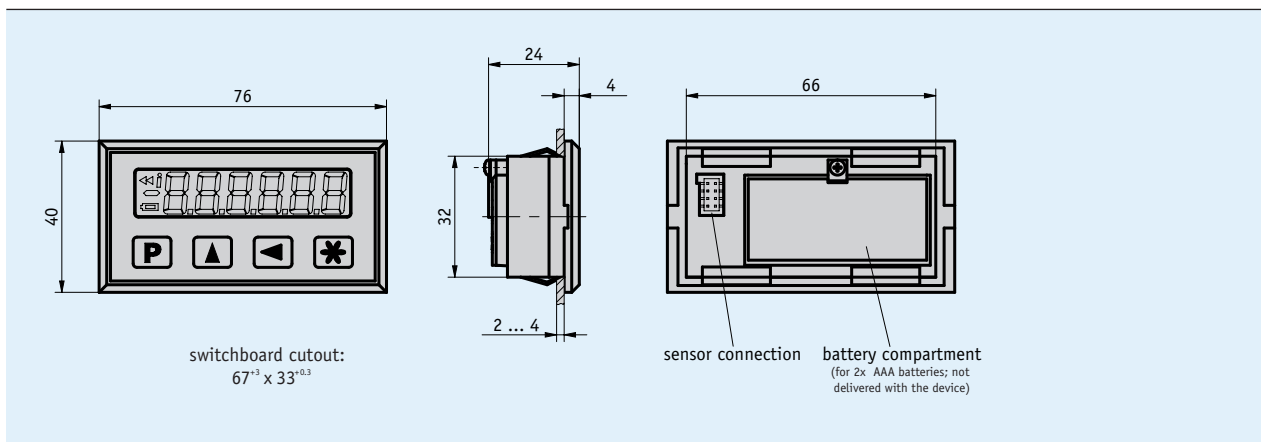


### Profile

- Display accuracy max. 10 µm
- Repeat accuracy max. ±0.01 mm
- Lowest-power LCD
- Metric or decimal-inch indication
- Incremental measurement and reset function
- Direct reference/offset value input
- Battery-buffered memory
- Battery operation
- MS500H sensor pluggable



### Mechanical data

| Feature        | Technical data            | Additional information                                     |
|----------------|---------------------------|------------------------------------------------------------|
| Housing design | built-in housing, plastic | switchboard cutout 67 <sup>+3</sup> x 33.5 <sup>+0.3</sup> |

### Electrical data

| Feature               | Technical data                                     | Additional information |
|-----------------------|----------------------------------------------------|------------------------|
| Operating voltage     | 3 V DC                                             |                        |
| Current consumption   | ~150 µA                                            | at 3 V DC              |
| Display/dispaly range | low-power LCD, ~11 mm height<br>-999999 ... 999999 | decimal to 10 µm       |
| Battery monitoring    | ~2.4 V DC                                          | low-batt symbol        |
| Type of connection    | integrated battery compartment                     | supply                 |

### System data

| Feature         | Technical data                                                | Additional information     |
|-----------------|---------------------------------------------------------------|----------------------------|
| Resolution      | 0.01, 0.05, 0.1, 1 mm<br>0.001, 0.01 inch                     | programmable angle display |
| System accuracy | ±(0.1 + 0.01 x L) mm, L in m<br>±(0.05 + 0.01 x L) mm, L in m | optional                   |
| Repeat accuracy | ±0.01 mm                                                      | ±1 digit                   |
| Travel speed    | ≤5 m/s                                                        |                            |

## Ambient conditions

| Feature             | Technical data    | Additional information              |
|---------------------|-------------------|-------------------------------------|
| Ambient temperature | 0 ... 60 °C       |                                     |
| Storage temperature | -10 ... 70 °C     |                                     |
| Relative humidity   | ≤95 %             | condensation inadmissible           |
| EMC                 | EN 61000-6-2      | interference resistance / immission |
|                     | EN 61000-6-4      | emitted interference / emission     |
| Protection category | IP40 whole device | EN 60529                            |
|                     | IP54 at the front | EN 60529                            |

## Order

### ■ Ordering information

one or more system components are required:

Magnetic sensor MS500H ML  
Hollow shaft sensor GS04

[www.siko-global.com](http://www.siko-global.com)  
[www.siko-global.com](http://www.siko-global.com)

### ■ Order key

MA504/1 - EG - S - SF-85792

*Scope of delivery:* MA504/1, Mounting instructions

**Accessories:**  
Mounting bracket ZB3004

[www.siko-global.com](http://www.siko-global.com)