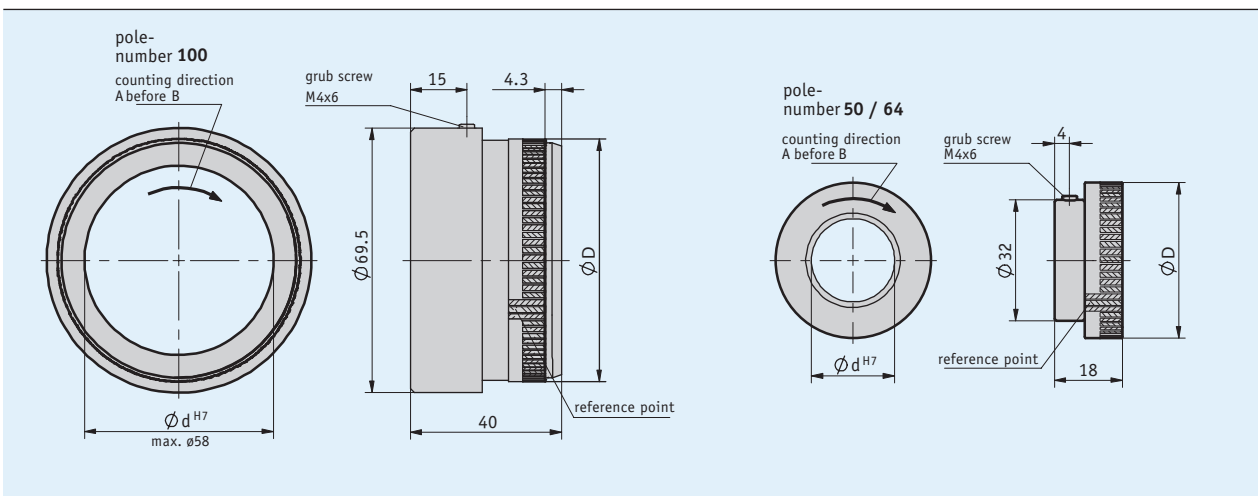
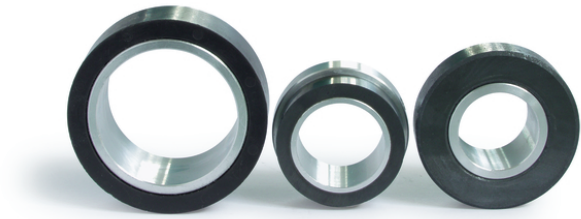


Profile

- Easy hollow-shaft mounting
- Rotary encoder system with IP67 protection category (in combination with MSK210)
- Up to 2000 pulses/revolution (8000 increments)
- With reference point as an option



Mechanical data

Feature	Technical data	Additional information
Flange	aluminum	

Table of dimensions

Poles	50	64	100
Diameter D [mm]	32.3	41.2	64.14
Circumference [mm]	100	130	200
Speed [min ⁻¹]	≤15000	≤11500	≤7500

System data

Feature	Technical data	Additional information
Pole length	2 mm	
System accuracy	±0.1°	
Measuring range	360°	

Pulses/revolution

Pole number	50	64	100
Sensor scaling factor			
20	1000	1280	2000
16	800	1024	1600
10	500	640	1000
8	400	512	800
5	250	320	500
4	200	256	400
1	50	64	100

The table applies to the combination of MR200 with MSK210

Ambient conditions

Feature	Technical data	Additional information
Ambient temperature	0 ... 60 °C	50, 64 pole number
	-20 ... 70 °C	100 pole number
Storage temperature	-20 ... 70 °C	
Relative humidity	100 %	condensation admissible
Protection category	IP67	EN 60529

Order

Ordering table

Feature	Ordering data	Specification	Additional information
Pole number	50	50 poles	hard ferrite
	64	64 poles	hard ferrite
	100	100 poles	flexible magnetic tape
		others on request	
Bore/diameter	20	ø20 mm	
		others on request	
Type of fastening	MNG	hub thread	
	ONG	without hub thread	
Reference point	O	without	
	M	with	

Order key

MR200 - - - -

A B C D

Scope of delivery: MR200