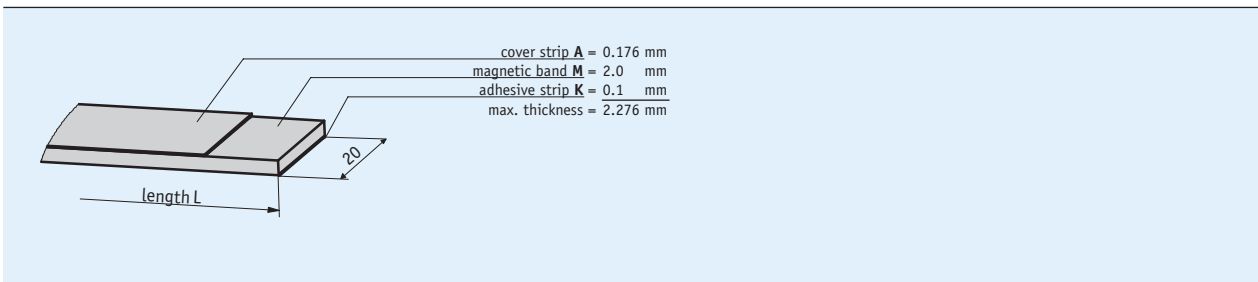
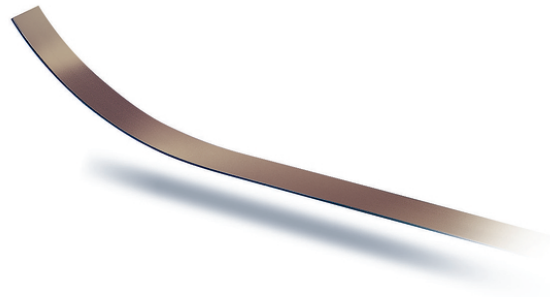


Profile

- Easy adhesive mounting, self-assembly possible
- Without carrier strip



Mechanical data

| Feature | Technical data | Additional information |
|----------------|---------------------|--------------------------------------|
| Material | stainless steel | cover strip |
| Band width | 20 mm | |
| Band thickness | 2 mm | without cover strip or adhesive tape |
| Mounting type | adhesive connection | double-sided tape premounted |

System data

| Feature | Technical data | Additional information |
|-----------------|----------------|------------------------|
| Pole length | 40 mm | |
| Measuring range | ∞ | |

Ambient conditions

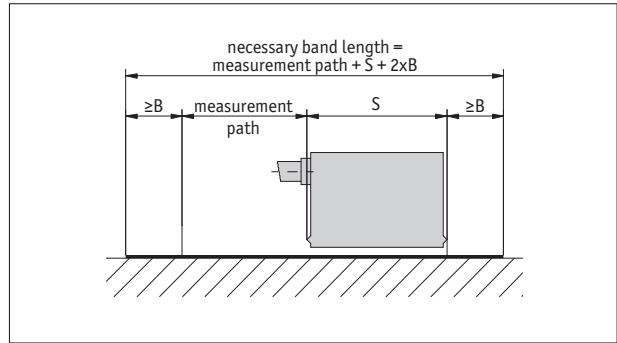
| Feature | Technical data | Additional information |
|---------------------|----------------|-------------------------|
| Ambient temperature | -20 ... 70 °C | |
| Storage temperature | -40 ... 70 °C | |
| Relative humidity | 100 % | condensation admissible |

Order

■ **Ordering information**

The necessary tape length is calculated from:
Measured distance + sensor length "S" + (2 x forerun or overrun "B", resp.).

| | |
|----------|------------------------------------|
| S | see the drawing of the sensor used |
| B | 100 mm (forerun and overrun) |



Symbolic representation

■ **Ordering table**

| Feature | Ordering data | Specification | Additional information |
|-----------------------|---------------|---|---|
| Length | ... A | 00.10 ... 50.0 m, in intervals of 0.1 m | ordering detail, see "Ordering information" |
| Adhesive carrier tape | TM | with | |
| | TO | without | |
| Cover strip | AO | without | |
| | AM | with | |

■ **Order key**

MB4000 - - - -

Scope of delivery: MB4000