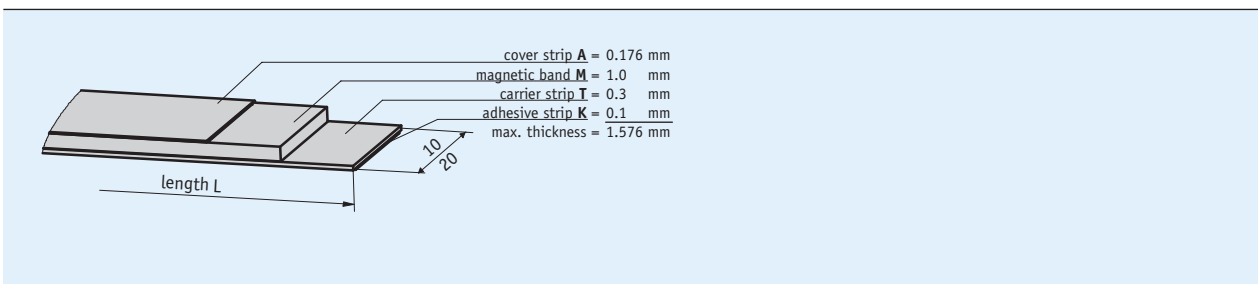
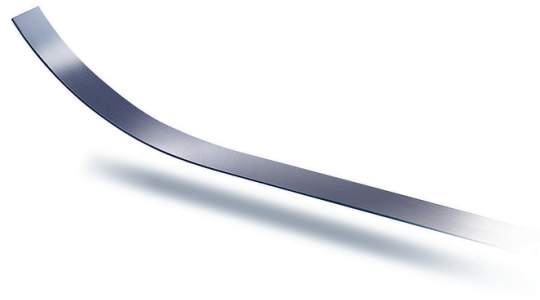


Profile

- Easy adhesive mounting, self-assembly possible
- Reels up to 100 m available



Mechanical data

Feature	Technical data	Additional information
Material	stainless steel	cover strip
Band width	10 mm or 20 mm	
Band thickness	1.4 mm	without cover strip
Mounting type	adhesive connection	double-sided tape premounted

System data

Feature	Technical data	Additional information
Pole length	20 mm	
Measuring range	∞	

Ambient conditions

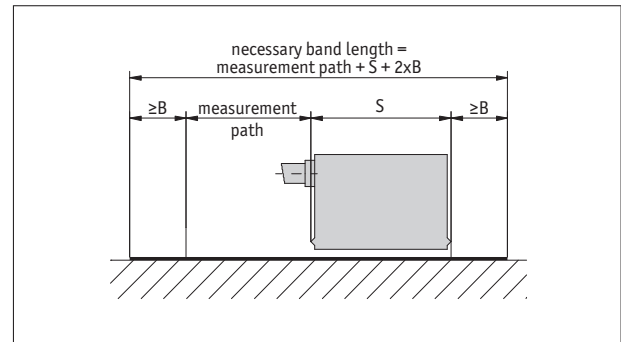
Feature	Technical data	Additional information
Ambient temperature	-20 ... 70 °C	
Storage temperature	-40 ... 70 °C	
Expansion coefficient	$(11 \pm 1) \times 10^{-6}/K$ $(16 \pm 1) \times 10^{-6}/K$	spring steel stainless steel
Relative humidity	100 %	condensation admissible

Order

Ordering information

The necessary tape length is calculated from:
Measured distance + sensor length "S" + (2 x forerun or overrun "B", resp.).

S	see the drawing of the sensor used
B	50 mm (forerun and overrun)



Symbolic representation

Ordering table

Feature	Ordering data	Specification	Additional information
tapewidth	10	A in mm	
	20	A in mm	
Material carrier tape	St	B steel	
	VA	B stainless steel	
Length	...	C 00.10 ... 100.0 m, in intervals of 0.1 m	ordering detail, see "Ordering information"
Adhesive carrier tape	TM	D with	
	TO	D without	
Cover strip	AM	E with	
	AO	E without	

Order key

MB2000 - - - - -

Scope of delivery: MB2000

Accessories:
Profile Rail PS
Protective band SB
Profile Rail PS1

www.siko-global.com
www.siko-global.com
www.siko-global.com