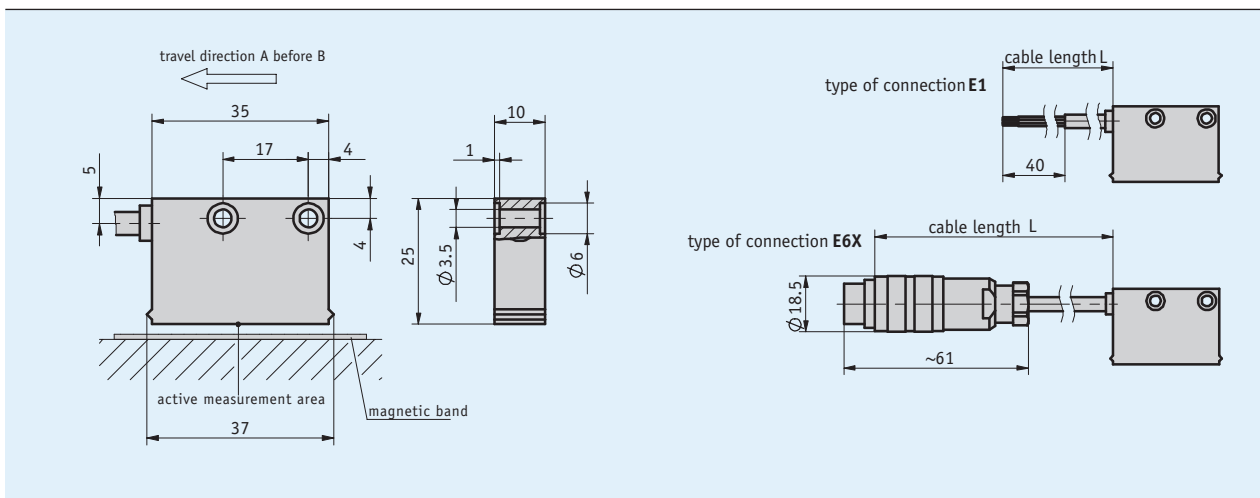
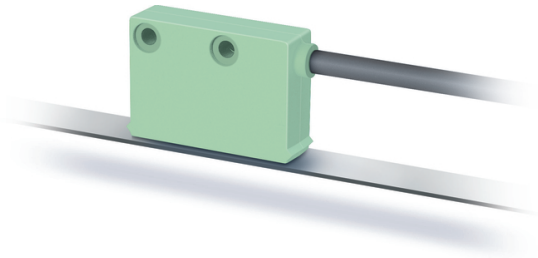


Profile

- Linear resolution 0.25 mm
- Repeat accuracy of ± 1 increment
- Operating voltage 5 or 24 V
- Works with magnetic tape MB2000
- Reading distance ≤ 10 mm



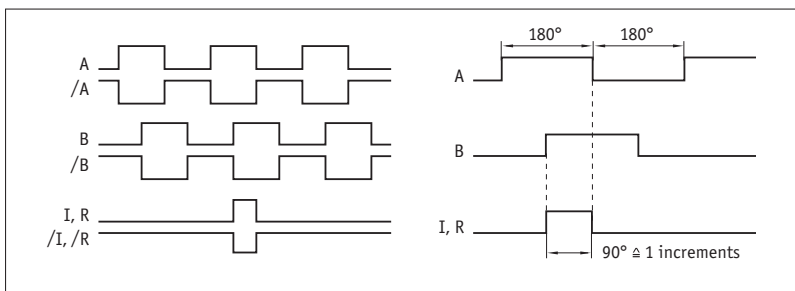
Mechanical data

Feature	Technical data	Additional information
Housing	light green plastic	
Sensor/band reading distance	1 ... 10 mm	
Cable sheath	PUR, suitable for drag-chain use	4-wire $\varnothing 4.4_{-0.4}$ mm; 6, 8-wire $\varnothing 5_{-0.4}$ mm
Cable bending radius	5x cable diameter 7.5x cable diameter	static dynamic
Service life of cable	>5 million cycles	under the following test conditions: Travel range 4.5 m Travel speed 3 m/s Acceleration 5 m/s ² Ambient temperature 20 °C ± 5 °C

Electrical data

Feature	Technical data	Additional information
Operating voltage	10 ... 30 V DC	reverse polarity protected
	5 V DC $\pm 5\%$	no reverse polarity protection
Current consumption	<50 mA	PP, unloaded
	<25 mA	LD
Output circuit	PP, LD (RS422)	
Output signals	A, A/, B, B/, I, I/	90° off-phase
Output signal level high	UB - 2.5 V	PP
	RS422 specific	LD
Output signal level low	<0.8 V	PP
	RS422 specific	LD
Pulse width of reference signal	1 increment(s)	
Real-time requirement	speed-proportional signal output	
Type of connection	open cable end	
	plug connector	7/8-pole

Signal patterns



The logical condition of signals A and B is not defined in reference to the index signal I or the reference signal R. It can deviate from the signal form.

System data

Feature	Technical data	Additional information
Resolution	0.25, 1 mm	
System accuracy	$\pm(1 + 0.03 \times L)$ mm, L in m	at $T_U = 20\text{ °C}$
Repeat accuracy	± 1 increment(s)	
Measuring range	∞	
Travel speed	≤ 25 m/s	

Ambient conditions

Feature	Technical data	Additional information
Ambient temperature	-10 ... 70 °C	
Storage temperature	-30 ... 80 °C	
Relative humidity	100 %	condensation admissible
EMC	EN 61000-6-2	interference resistance / immission
	EN 61000-6-4	emitted interference / emission
Protection category	IP67	EN 60529
Shock resistance	500 m/s ² , 11 ms	EN 60068-2-27
Vibration resistance	100 m/s ² , 5 ... 150 Hz	EN 60068-2-6

Pin assignment

■ Not inverted

Signal	E1	E6X
GND	black	1
+UB	brown	2
A	red	3
B	orange	4
nc		5
nc		6
nc		7

■ Inverted with reference signal

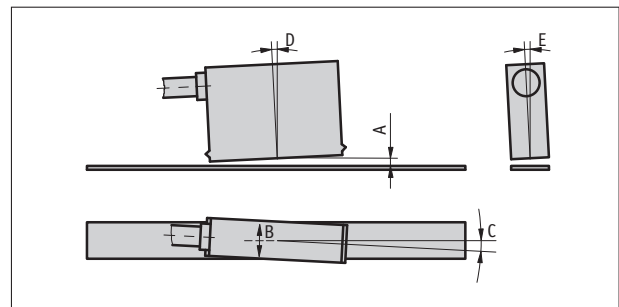
Signal	E1	E6X
A	red	1
B	orange	2
I	blue	3
+UB	brown	4
GND	black	5
/A	yellow	6
/B	green	7
/I	violet	8

■ Inverted

Signal	E1	E6X
A	red	1
B	orange	2
nc		3
+UB	brown	4
GND	black	5
/A	yellow	6
/B	green	7

Hint for mounting

A, Sensor/tape reading distance	≤10 mm
B, Lateral offset	±2 mm (10 mm tape) ±5 mm (20 mm tape)
C, Alignment error	±3°
D, Longitudinal inclination	±3°
E, Lateral inclination	±3°



Symbolic representation

Order

Ordering information

One or more system components are required:

Magnetic band MB2000

www.siko-global.com

Ordering table

Feature	Ordering data	Specification	Additional information
Operating voltage	4	24 V DC	
	5	5 V DC	
Type of connection	E1	open cable ends	
	E6X	round connector without mating connector	
		cable extensions on request	
Cable length	...	01.0 ... 20 m, in intervals of 1 m others on request	
Output circuit	PP	push-Pull	only with operating voltage 4
	LD	Line Driver	
Output signal	NI	not inverted	
	I	inverted	
Reference signal	0	without	
	I	periodic index	
Resolution	...	0.25, 1 in mm	

Order key

MSK2000 - - - - - - -

A B C D E F G

Scope of delivery: MSK2000, Mounting instructions, Fastening set