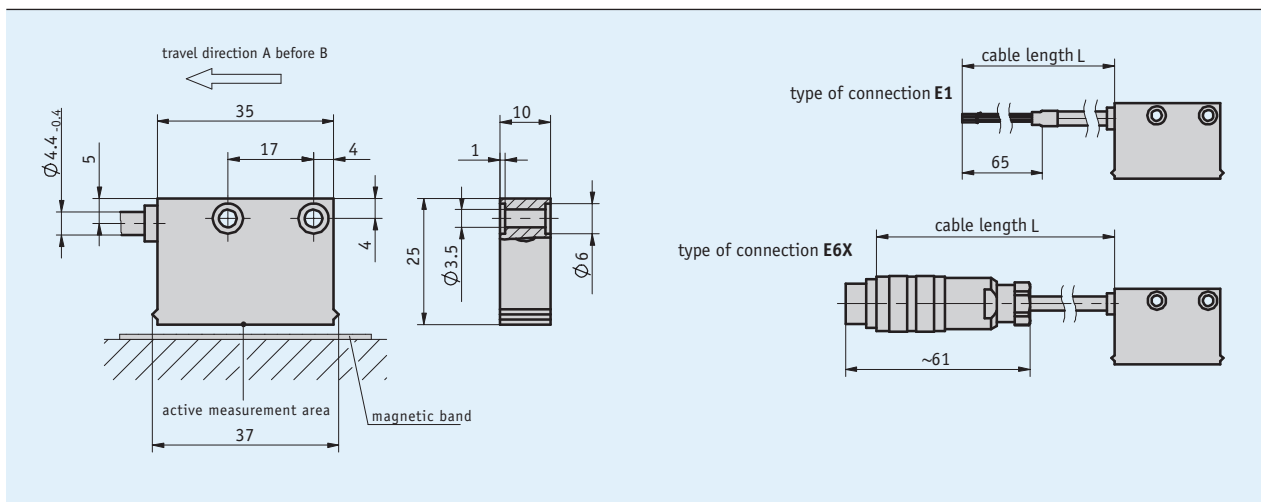
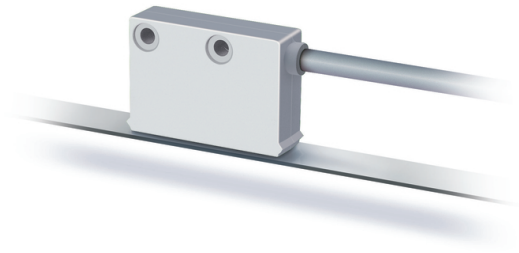


Profile

- Max. resolution 1 mm
- Repeat accuracy of ± 1 increment
- Works with magnetic tape MB400
- Reading distance ≤ 4 mm



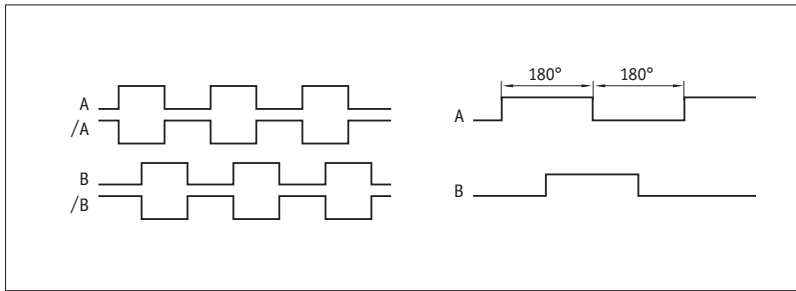
Mechanical data

Feature	Technical data	Additional information
Housing	white plastic	
Sensor/band reading distance	0.1 ... 4 mm	
Cable sheath	PUR suitable for drag-chain use	4-wire $\varnothing 4.4_{-0.4}$ mm
Cable bending radius	5x cable diameter 7.5x cable diameter	static dynamic
Service life of cable	>5 million cycles	under the following test conditions: travel range 4.5 m travel speed 3 m/s acceleration 5 m/s ² ambient temperature 20 °C \pm 5 °C

Electrical data

Feature	Technical data	Additional information
Operating voltage	24 V DC \pm 20 %	reverse polarity protected
Current consumption	<20 mA	off-load
Output circuit	PP	
Output signals	A, B	90° off-phase
Output signal level high	>UB - 3.5 V	
Output signal level low	<2 V	
Real-time requirement	speed-proportional signal output	
Type of connection	open cable end plug connector	7-pole

Signal patterns



System data

Feature	Technical data	Additional information
Resolution	1 mm	with quadruple evaluation
System accuracy	$\pm(1 + 0.03 \times L)$ mm, L in m	at $T_U = 20^\circ\text{C}$
Repeat accuracy	± 1 mm	
Measuring range	∞	
Travel speed	≤ 10 m/s	

Ambient conditions

Feature	Technical data	Additional information
Ambient temperature	$-10 \dots 70^\circ\text{C}$	
Storage temperature	$-30 \dots 80^\circ\text{C}$	
Relative humidity	100 %	condensation admissible
EMC	EN 61000-6-2 EN 61000-6-4	interference resistance / immission emitted interference / emission
Protection category	IP67	EN 60529
Shock resistance	500 m/s^2 , 11 ms	EN 60068-2-27
Vibration resistance	100 m/s^2 , 5 ... 150 Hz	EN 60068-2-6

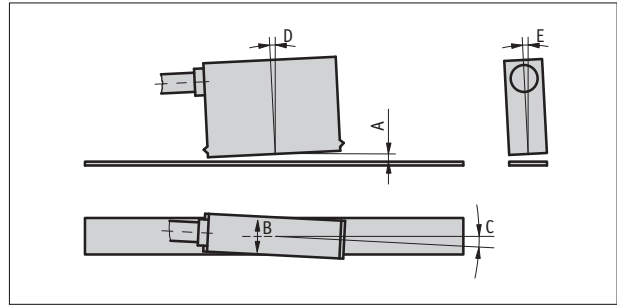
Pin assignment

Not inverted

Signal	E1	E6X
GND	black	1
A	red	2
B	orange	3
nc		4
+UB	brown	5
nc		6
nc		7
Shielding	white	

Hint for mounting

A, Sensor/tape reading distance	≤4 mm
B, Lateral offset	±2 mm
C, Alignment error	±3°
D, Longitudinal inclination	±3°
E, Lateral inclination	±3°



Symbolic representation

Order

Ordering information

One or more system components are required:

Magnetic band MB400

www.siko-global.com

Ordering table

Feature	Ordering data	Specification	Additional information
Type of connection	E1	open cable ends	
	E6X	A	round connector without mating connector
			cable extension on request
Cable length	...	B	01.0 ... 20 m, in intervals of 1 m others on request

Order key

MSK400/1 - -

Scope of delivery: MSK400/1, Mounting instructions, Fastening set