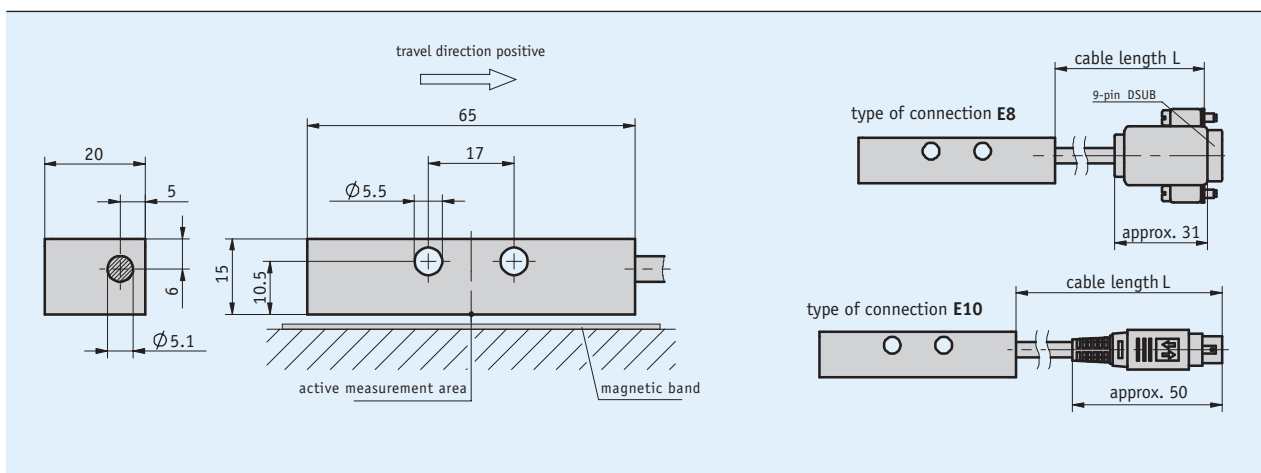
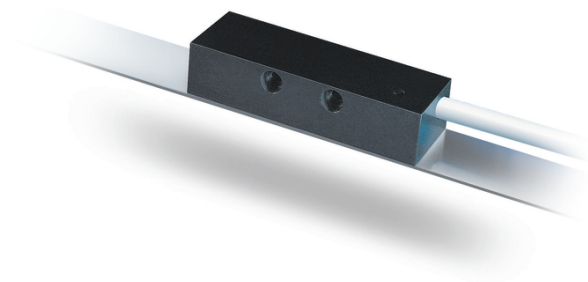


Profile

- To be connected to magnetic displays MA505 and MA561
- Max. resolution depends on downstream electronics unit
- Repeat accuracy depends on downstream electronics unit
- Reading distance ≤ 1 mm
- Max. measuring length 5120 mm



Mechanical data

Feature	Technical data	Additional information
Housing	aluminum uncoated chromated	
Sensor/band reading distance	≤ 1 mm	
Cable sheath	PVC	

Electrical data

Feature	Technical data	Additional information
Operating voltage	supply via downstream electronic unit	
Current consumption	see downstream electronics	
Type of connection	D-Sub	9-pole, 1x pin (E8 type of connection)
	mini-DIN	8-polig, 1x Stift (Anschlussart E10)

System data

Feature	Technical data	Additional information
Resolution	depending on display / downstream electronic unit	
System accuracy	$\pm(0.05 + 0.03 \times L)$ mm, L in m	at $T_0 = 20$ °C
Repeat accuracy	0.01 mm	
Measuring range	≤ 5120 mm	
Travel speed	≤ 5 m/s	

Ambient conditions

Feature	Technical data	Additional information
Ambient temperature	0 ... 60 °C	
Storage temperature	-20 ... 80 °C	
Relative humidity	100 %	condensation admissible
Protection category	IP67	EN 60529 (sensor head)
Shock resistance	500 m/s ² , 11 ms	EN 60068-2-27
Vibration resistance	100 m/s ² , 5 ... 150 Hz	EN 60068-2-6

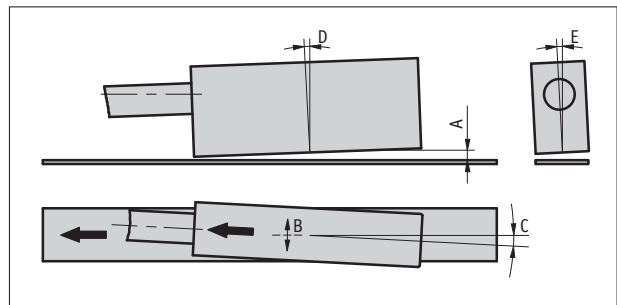
Pin assignment

Signal	PIN E8	PIN E10
nc	1	2
LK14A	2	1
SENS DATA	3	3
LK14B	4	5
nc	5	
CLK	6	4
+5V	7	8
GND	8	6
STR	9	7

Hint for mounting

When mounting sensor and magnetic tape, please be careful to align both system components correctly. The arrow marks on the tape and sensor must point in the same direction when mounting the components.

A, Sensor/tape reading distance	≤1 mm
B, Lateral offset	±1 mm
C, Alignment error	±2°
D, Longitudinal tilt	±1°
E, Lateral tilt	±3°



symbolic sensor representation

Order

Ordering information

One or more system components are required:

Magnetic band MBA
Electronic display MA505
Electronic display MA561

www.siko-global.com
www.siko-global.com
www.siko-global.com

Ordering table

Feature	Ordering data	Specification	Additional information
Type of connection	E8 E10	A D-SUB mini-DIN connector	
Cable length	...	B 01.0 ... 20 m, in intervals of 1 m others on request	

Order key

MSA - A - I - A - B

Scope of delivery: MSA, User information, Fastening set, snap ferrite on sensor cable