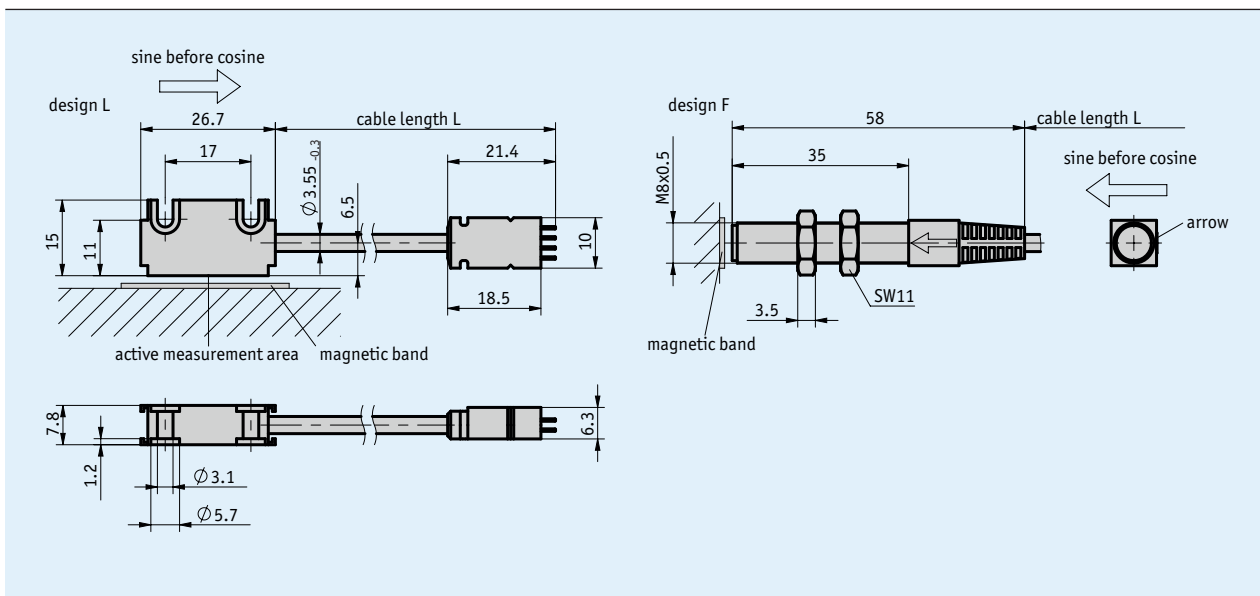
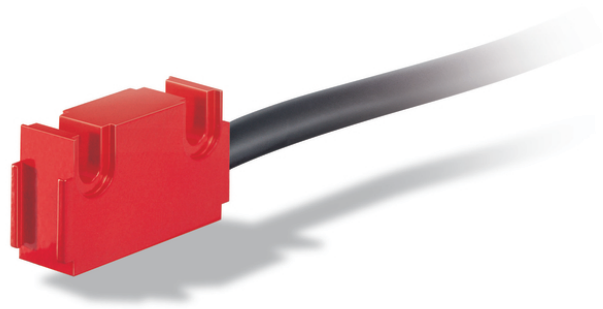


## Profile

- Compact design of sensor and connector
- To be connected to MA503/2 or MA504/1
- Works with magnetic tape MB500/1, MR500, MBR500
- Reading distance  $\leq 2$  mm



## Mechanical data

Feature	Technical data	Additional information
Housing	aluminum red	L design
	steel	F design
Sensor/band reading distance	0.1 ... 2 mm	
Cable sheath	PVC	6-wire $\varnothing 3.55_{-0,3}$ mm (E16 type of connection)
Cable bending radius	>17 mm (static)	E16 type of connection

## Electrical data

Feature	Technical data	Additional information
Operating voltage	supply via measurement display / downstream electronic unit	
Current consumption	supply via measurement display / downstream electronic unit	
Type of connection	flat connector	8-pole, 1x pin (E16)

### System data


Feature	Technical data	Additional information
System accuracy	depending on downstream electronic unit	
Repeat accuracy	depending on downstream electronic unit	
Travel speed	depending on downstream electronic unit	

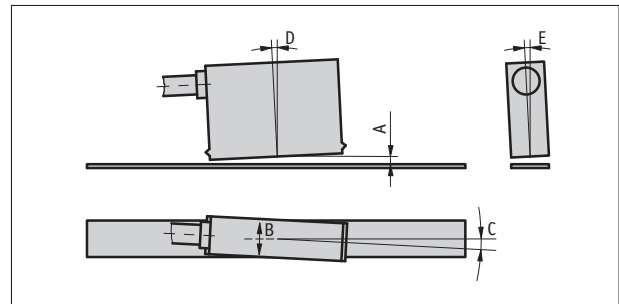
### Ambient conditions

Feature	Technical data	Additional information
Ambient temperature	0 ... 60 °C	
Storage temperature	-20 ... 70 °C	
Relative humidity	100 %	Betauung zulässig (Sensorkopf)
Protection category	IP67	EN 60529 (sensor head)
Shock resistance	2000 m/s <sup>2</sup> , 11 ms	EN 60068-2-27
Vibration resistance	200 m/s <sup>2</sup> , 50 Hz ... 2 kHz	EN 60068-2-6

### Hint for mounting

A, Sensor/tape reading distance	≤2 mm
B, Lateral offset	±2 mm
C, Alignment error	±3°
D, Longitudinal inclination	±1°
E, Lateral inclination	±3°

 The length of the cable between the sensor and connector cannot be subsequently increased or decreased.



Symbolic representation

### Order

#### Ordering information

one or more system components are required:

Magnetic band MB500/1

Magnetic ring MR500

Magnetic band ring MBR500

[www.siko-global.com](http://www.siko-global.com)

[www.siko-global.com](http://www.siko-global.com)

[www.siko-global.com](http://www.siko-global.com)

#### Ordering table

Feature	Ordering data	Specification	Additional information
Design	L	rectangular	
	F	round	
Cable length	...	B 00.2 ... 10.0 m	

#### Order key

MS500H ML - A - E16 - B

*Scope of delivery: MS500H ML, Mounting instructions, Fastening set*