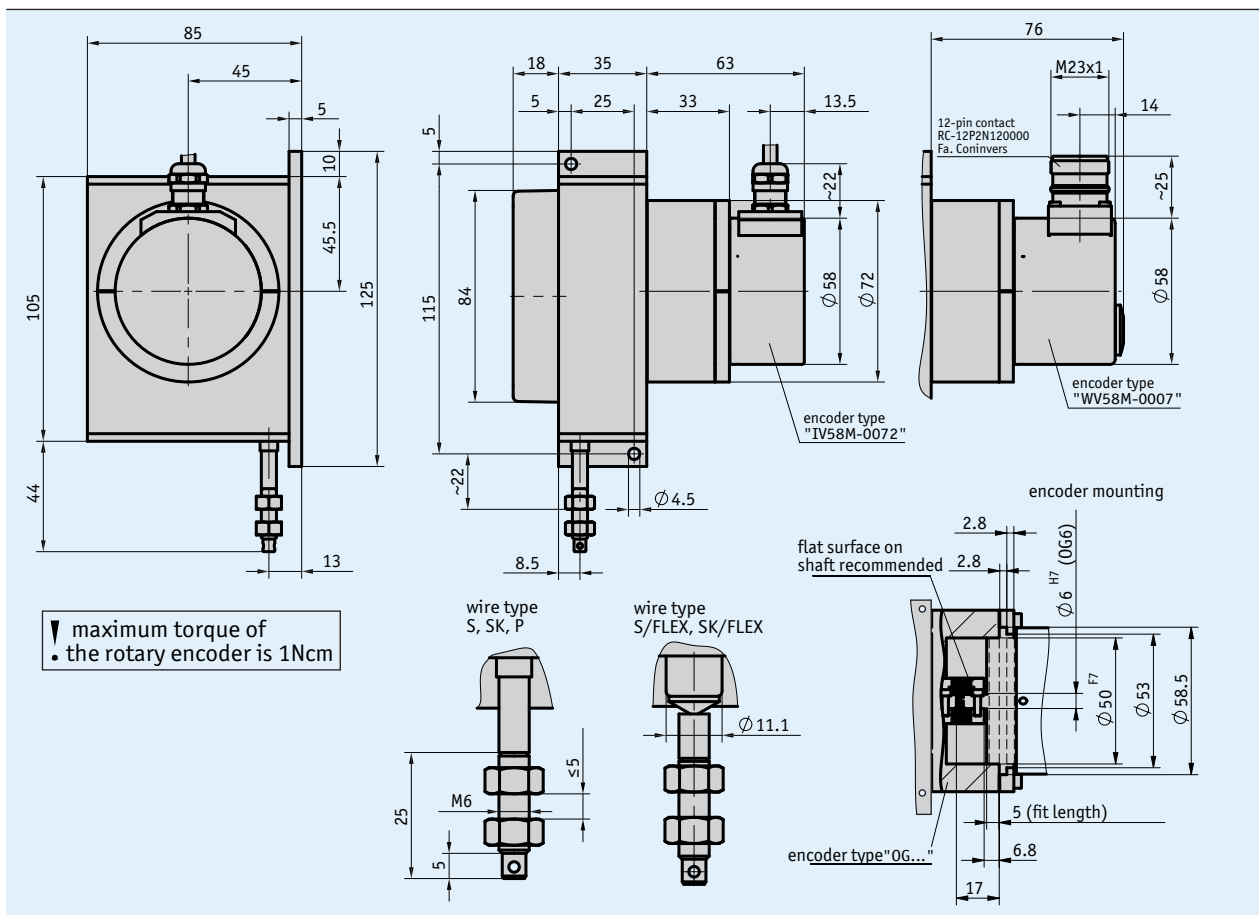


## Profile

- Robust design
- Easy mounting
- Measurement lengths up to max. 6000 mm
- Incremental or absolute encoder
- Housing made of aluminum and plastic
- High flexibility thanks to free choice of rotary encoders with 58 mm standard flange
- Various wire types



## Mechanical data

Feature	Technical data	Additional information
Housing	aluminum/plastic	
Wire design	<ul style="list-style-type: none"> <li>Ø0.54 mm</li> <li>Ø0.87 mm</li> <li>Ø1.05 mm</li> </ul>	<ul style="list-style-type: none"> <li>steel wire</li> <li>steel wire, plastic coated</li> <li>para-line plastic rope</li> </ul>
Extension force	≥8 N	on the wire
Measured distance/ rope drum revolution	200 mm	
Acceleration	≤23.5 m/s <sup>2</sup>	
Weight	~0.6 kg	

## Electric data

Rotary encoders suitable for the SG60 are featured in RotoLine catalogue 2. Depending on the output signals the following are suitable for:

- Analog outputs such as current or voltage: AV58M
- Incremental outputs: IV5800
- Absolute outputs: WV58MR, WV36M/SSI, WV36M/CAN

The technical specifications for these devices are given in the respective data sheets. A great number of transmitter versions of various manufacturers can also be used.

## System data

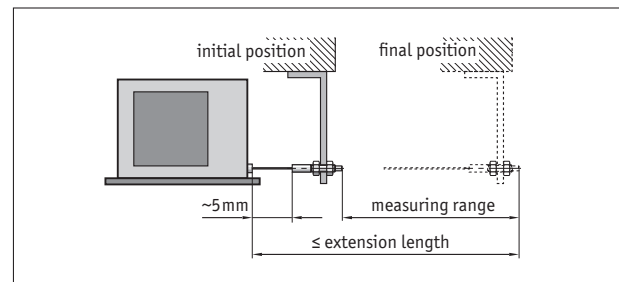
Feature	Technical data	Additional information
Repeat accuracy	±0.15 mm	depending on the direction of approach (1st layer)
Measuring range	≤6000 mm	
Travel speed	≤3000 mm/s	

## Ambient conditions

Feature	Technical data	Additional information
Ambient temperature	-20 ... 80 °C	T1
	-40 ... 80 °C	T2 (drawing-in speed ≤800 mm/s)
Protection category		depending on the rotary encoder installed

## Hint for mounting

When securing the wire it must be ensured that the wire is straight and vertical in relation to the wire outlet. Recommendation: Only select the starting position after an unwound length of approx. 5 mm. This prevents the wire hitting the end stop when it is rewound.



symbolic depiction

## Order

### Ordering information

One or more system components are required:

Incremental encoder IV5800  
 Absolute encoder WV58MR  
 Absolute encoder WV36M/SSI  
 Absolute encoder WV36M/CAN

[www.siko-global.com](http://www.siko-global.com)  
[www.siko-global.com](http://www.siko-global.com)  
[www.siko-global.com](http://www.siko-global.com)  
[www.siko-global.com](http://www.siko-global.com)

### Ordering table

Feature	Ordering data	Specification	Additional information
Measuring range	... <b>A</b>	1000 ... 6000 mm, in steps of 100 mm	
Wire design	<b>S</b>	stainless steel rope	measuring range ≤ 6000 mm
	<b>SK</b>	stainless steel rope, plastic-coated	measuring range ≤ 4000 mm
	<b>P</b>	para-line, non-conducting, signal color	measuring range ≤ 2800 mm
	<b>S/FLEX</b>	stainless steel rope, flexible rope outlet	measuring range ≤ 6000 mm
Operating temperature	<b>T1</b>	-20 ... +80 °C	
	<b>T2</b>	-40 ... +80 °C	≤ feed speed 800 mm/s
Color	<b>N</b>	natural, anodized	
	<b>D</b>	others on request	

### Order key



Scope of delivery: SG60

#### Accessories:

Guide roller UR  
 Wire extension piece SV

[www.siko-global.com](http://www.siko-global.com)  
[www.siko-global.com](http://www.siko-global.com)