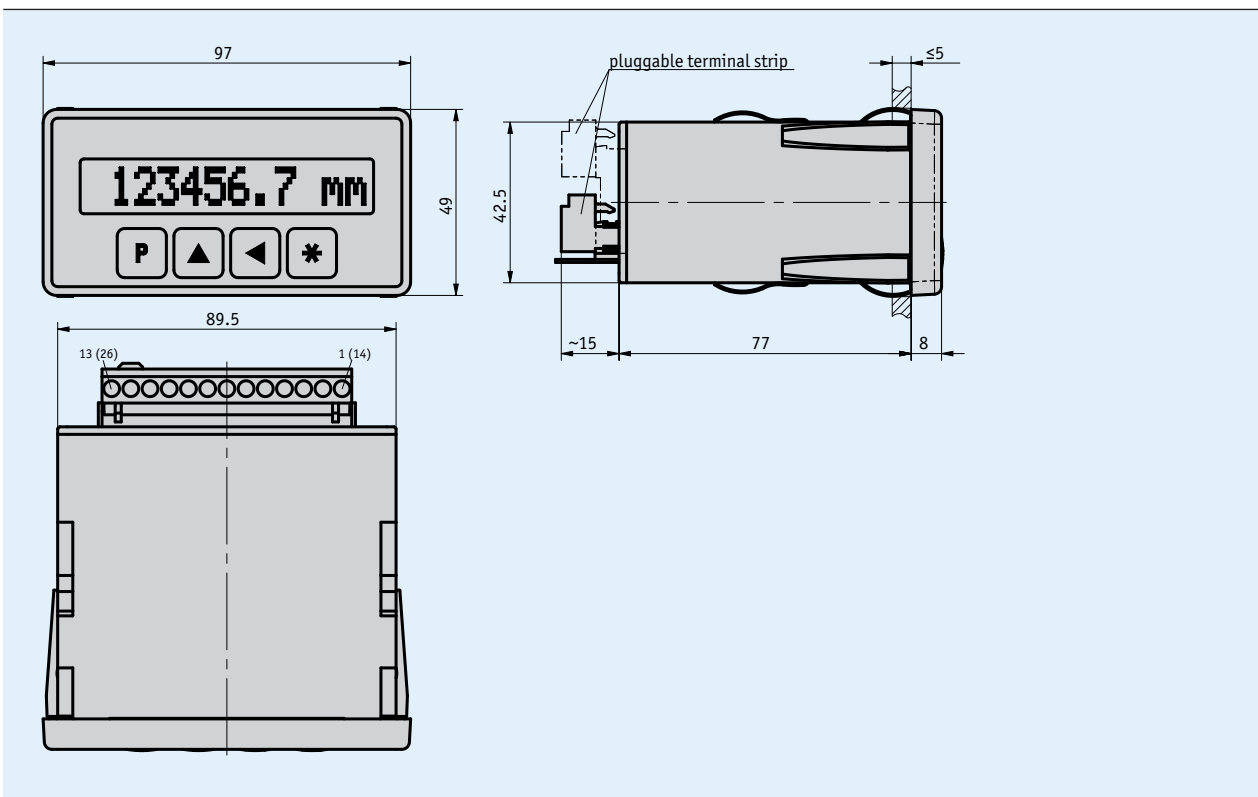


Profile

- High-contrast LCD (1 line of 12 digits)
- Display of units
- Inputs for incremental or absolute encoder (SSI),
- Free programming via front keyboard
- With reference connection
- Option: RS232 or RS485 interface
- Option: Switching outputs



Mechanical data

Feature	Technical data	Additional information
Housing	plastic, with panel- clip as snap module	switchboard cutout $92^{+0.8} \times 45^{+0.6}$ IEC 61554
Weight	0.22 kg	24 V DC
	0.46 kg	230 V AC / 115 V AC / 24 V AC / 15 V AC

Electrical data

Feature	Technical data	Additional information
Operating voltage	24 V DC $\pm 20\%$	
	24 V AC $\pm 10\%$	
	115 V AC $\pm 10\%$	(EG design)
	230 V AC $\pm 10\%$	(EG design)
Current consumption	120 mA	at 24 V DC, without encoder
Encoder supply	24 V DC (200 mA)	
	5 V DC (200 mA)	
Encoder input frequency	≤ 500 kHz	
Encoder input	PP, OC, OP, LD/5, LD/24, SSI/5, SSI/24	length and angle measurement
	DREH/PP, DREH/OC	speed measurement
	S/PP, S/OC	number of pieces measurement
Pulse analysis	4-fold	incremental encoder
Display/display range	12-digit, LCD point matrix, backlit -9999999 ... 9999999	arithmetic sign, unit of measurement
Keys	membrane keys with pressure point	
Switching outputs	≤ 30 V, 100 mA OC	2 freely programmable outputs
Counter capacity	$\pm 2^{23}$ increments	
Type of connection	connector	13/26-pole

Ambient conditions

Feature	Technical data	Additional information
Ambient temperature	0 ... 50 °C	
Storage temperature	-20 ... 85 °C	
Relative humidity		condensation inadmissible
EMC	EN 61000-6-2	interference resistance / immission
	EN 61000-6-4	emitted interference / emission
Protection category	IP40 whole device	EN 60529
	IP60 front with switchboard installation	EN 60529

Pin assignment

Signal incremental PP, OC, OP, LD5, LD24	Signal Speed / quantity Dreh/PP, Dreh/OC, S/PP, S/OC	Signal absolute SSI/5, SSI/24	PIN
+Ub encoder supply	+Ub encoder supply	+Ub encoder supply	1
A	A	lock+	2
B	nc	data+	3
index signal	nc	nc	4
GND, shield encoder supply	GND, shield encoder supply	GND, Shield encoder supply	5
24 V DC out	24 V DC out	24 V DC out	6
RFS	RFS	CAL	7
nc	nc	nc	8
GND	GND	GND	9
nc	nc	nc	10
PE	PE	PE	11
0 V GND	0 V GND	0 V GND	12
+ Ub operating voltage	+ Ub operating voltage	+ Ub operating voltage	13
encoder supply	encoder supply	encoder supply	14
/A (LD, OP)	nc	clock-	15
/B (LD, OP)	/I (LD, OP)	data-	16
/I (LD, OP)	nc	nc	17
GND	GND	GND	18
nc	nc	nc	19
GND	GND	GND	20
nc	nc	nc	21
DÜA/TXD/A1	DÜA/TXD/A1	DÜA/TXD/A1	22
DÜB/RXD/A2	DÜB/RXD/A2	DÜB/RXD/A2	23
nc	nc	nc	24
nc	nc	nc	25
nc	nc	nc	26

Order

Ordering table

Feature	Ordering data	Specification	Additional information
Operating voltage	1	A	230 V AC
	2		115 V AC
	3		24 V AC
	4		24 V DC
Encoder input	PP	B	push-pull
	OC		open collector
	OP		PP inverted
	LD/5		line driver, 5 V DC encoder supply
	LD/24		line driver, 24 V DC encoder supply
	SSI/5		SSI, 5 V DC encoder supply
	SSI/24		SSI, 24 V DC encoder supply
	DREH/PP		speed, push-pull
	DREH/OC		speed, open collector
	S/PP		piece number, push-pull
S/OC	piece number, open collector		
Counting frequency	25	C	25 khz
	250		250 khz
	500		500 khz
Switching output	S0	D	without
	SM		with
Interface/protocol	XX/XX	E	without
	S1/00		RS232/standard
	S3/00		RS485/standard
Software	S	F	length measurement
	SW02		angle measurement, 0 ... 360°

Order key

MA10/4 - EG - A - B - C - D - RM - E - BS - F

Scope of delivery: MA10/4, Mounting instructions

Accessories:
Table-top housing TG01

www.siko-global.com