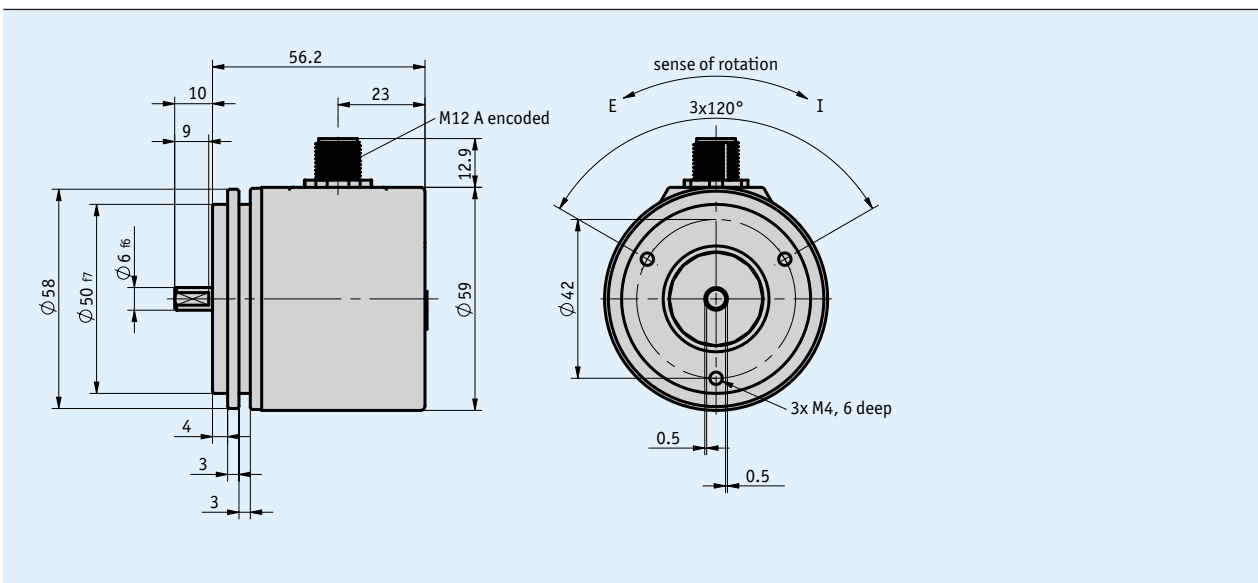


Profile

- Absolute analog encoder
- 12 Bit (4096) resolution over the measuring range
- Operating temperature until -40 °C
- Voltage (0 ... 10 V)/ current (4 ... 20 mA) outputs
- Programmable measuring range via teach-in function with key funktion or external inputs



Mechanical data

Feature	Technical data	Additional information
Shaft	stainless steel	
Housing	nickel-plated steel	
Speed	≤12000 rpm	
Moment of inertia	≤20 gcm ²	
Starting torque	≤2 Ncm	at 25 °C
Shaft load rating	axial 20 N radial 80 N	
Weight	~0.15 kg	

Electrical data

- Transducer, power output

Feature	Technical data	Additional information
Operating voltage	15 ... 30 V DC	4 ... 20 mA
Current consumption	typical 50 mA	without load
Linearity	0.15 %	
Load	RL <500 Ω at UB ≥15 V DC	4 ... 20 mA
Starting time	<1 s	
Settling time	80 ms	
Type of connection	1x M12 plug connector (A-coded)	5-pole, 1x pin

■ Transducer, voltage output

Feature	Technical data	Additional information
Operating voltage	12 ... 30 V DC	0 ... 10 V
Current consumption	typically 50 mA	without load
Linearity	0.15 %	
Load	RL >10 kΩ at UB ≥12 V DC	0 ... 10 V
Starting time	<1 s	
Settling time	80 ms	
Type of connection	1x M12-plug connector (A-coded)	5-pole, 1x pin

System data

Feature	Technical data	Additional information
Resolution	12 bit (output)	over the programmed measuring range
Measuring range	≥22.5°	
	65536 revolution(s)	
	16 revolution(s)	factory setting

Ambient conditions

Feature	Technical data	Additional information
Ambient temperature	-40 ... 85 °C	
Storage temperature	-40 ... 85 °C	
Relative humidity	98 %	condensation inadmissible
EMC	EN 61000-6-2	interference resistance / immission
	EN 61000-6-4	emitted interference / emission
Protection category	IP65	EN 60529
Shock resistance	≤1000 m/s ² , 6 ms	EN 60068-2-27
Vibration resistance	≤100 m/s ² , 10 Hz ... 1 kHz	EN 60068-2-6

Pin assignment

Signal	PIN
I _{out} /U _{out}	1
+UB	2
GND	3
Limit 1	4
Limit 2	5

Order

Ordering table

Feature	Ordering data	Specification	Additional information
Interface	MWI	4 ... 20 mA	
	MWU	0 ... 10 V	

Order key

AV58M - A - 6 - M12

Scope of delivery: AV58M

Accessories:

Electronic display MA50

Servo clamp SK

Flexible coupling AK18

Cable extension KV0550

Mating Connector Overview

Mating connector, 5-pole, socket

Mating connector, 5-pole, angle socket

www.siko-global.com

www.siko-global.com

www.siko-global.com

www.siko-global.com

www.siko-global.com

Order key 84109

Order key 83006