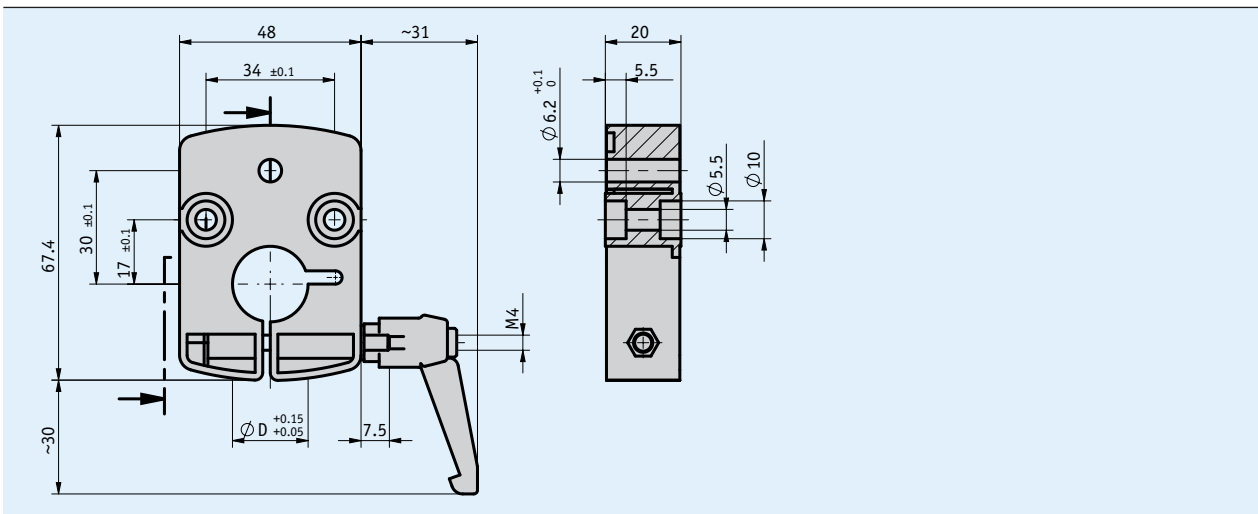


Profile

- Contour matching with DA09S position indicator
- For shaft diameter 12 ... 20 mm
- Robust zinc die-cast design
- Easy mounting and retrofitting



Mechanical data

Feature	Technical data	Additional information
Housing	zinc die-cast	
Clamping lever	plastic, engaging	
Weight	~0.15 kg	

Order

Ordering table

Feature	Ordering data	Specification	Additional information
Bore/diameter	... A	12, 14, 16, 20 in mm	

Order key

KPL09 - A - KH

Scope of delivery: KPL09