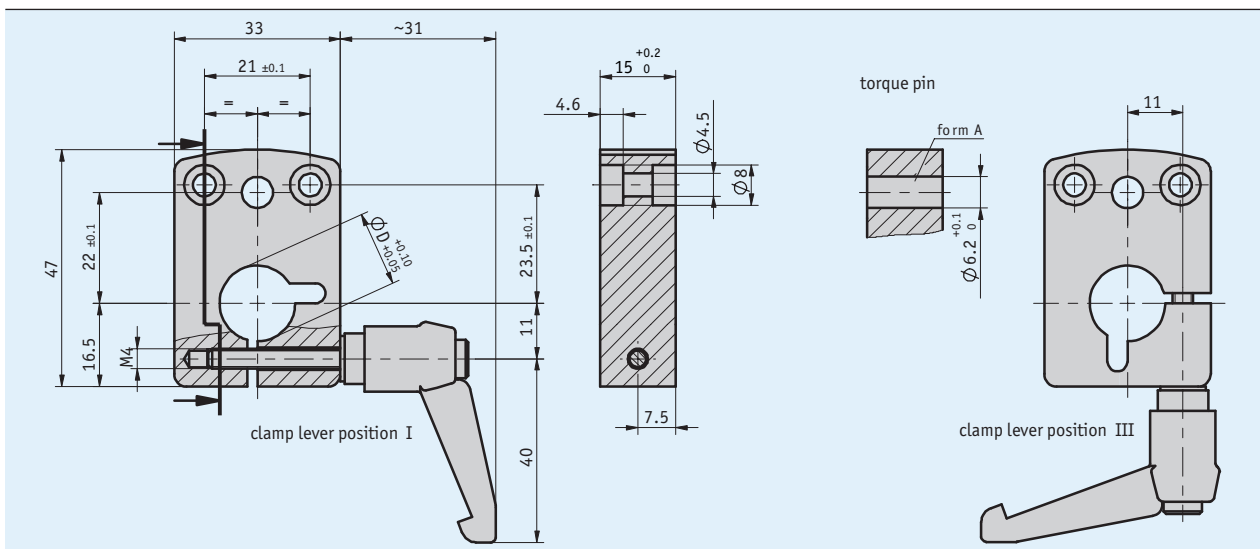


## Profile

- For shaft diameters 8 ... 15 mm
- Selectable clamp lever position
- Easy mounting and retrofitting



## Mechanical data

Feature	Technical data	Additional information
Housing	anodized aluminum	
Clamping lever	plastic, engaging	

## Order

### Ordering table

Feature	Ordering data	Specification	Additional information
Bore/diameter	... A	8, 10, 12, 14, 15 in mm others on request	
Clamp lever/position	I B	position I position III	

### Order key

KP04 - A - B - A

Scope of delivery: KP04