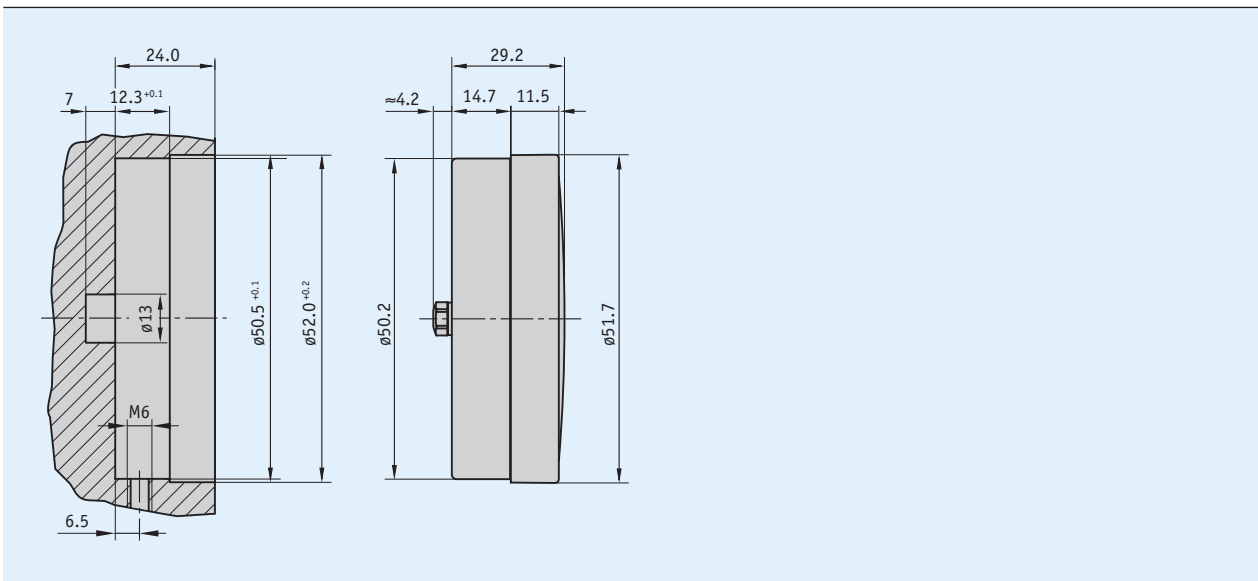


Profile

- Analog position indicator
- Measured value acquisition based on the gravity principle
- High stability thanks to doubly supported pointer shaft
- Very robust, glass-fiber reinforced plastic housing
- Wide range of gear ratios
- Special scales, also for small numbers of pieces
- Dustproof, oil-filled or waterproof versions



Mechanical data

Feature	Technical data	Additional information
Housing	reinforced plastic	
Weight	0.1 kg	N, W design
	0.1 kg	P design

Order

Ordering information

One or more system components are required:

Handwheel HR...	www.siko-global.com
Handwheel HST...	www.siko-global.com
Handwheel HK...	www.siko-global.com
Handwheel HS...	www.siko-global.com
Handwheel HG...	www.siko-global.com
Handwheel KHB...	www.siko-global.com

Ordering table

Feature	Ordering data	Specification	Additional information
Version	N	A	dust-proof
	P		oil-filled
	W		waterproof
Gear ratio	...	B	1, 2, 3, 6, 10, 12, 15, 18, 20, 24, 30, 36, 48, 50, 60, 72, 84, 96, 100
			others on request
Sense of rotation	i	C	clockwise ascending values
	e		counter-clockwise ascending values
Pointer	1	D	red with transmission
	2		red with transmission + black 1:1
Covering glass	S	E	plastic
	A		synthetic material, acetone-resistant
Scale	N..	F	normal scale
	VK..		special scale
Multi-color scale	C1	G	1-colored
	C2		2-colored
	C3		3-colored

Order key

S50/1 - - - - - - -

A B C D E F G

Scope of delivery: S50/1