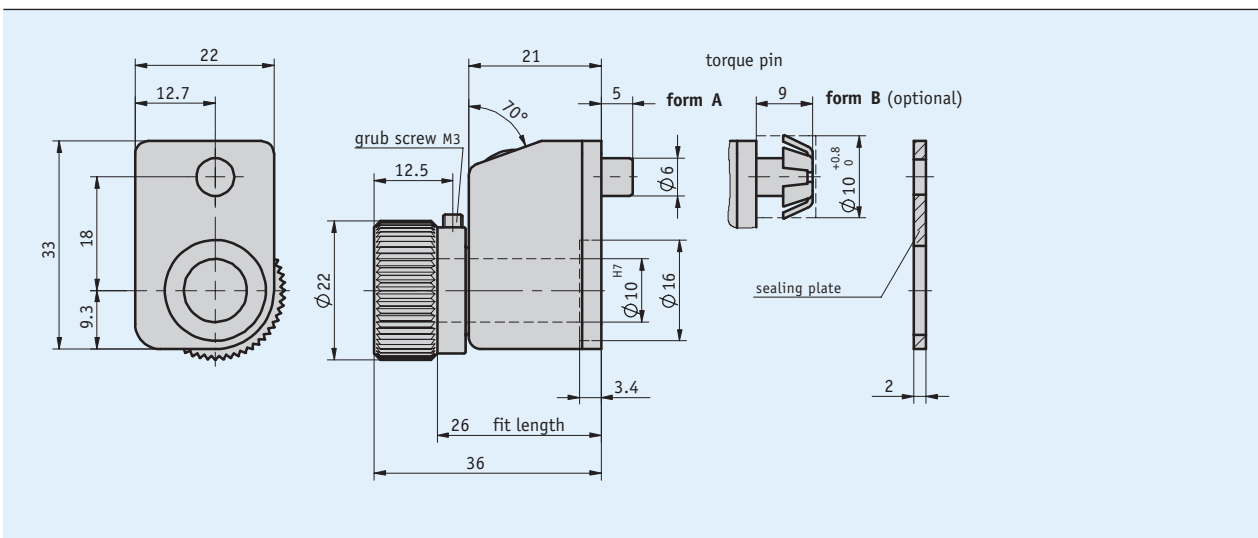


### Profile

- Miniature control knob
- Shaft support: max.  $\varnothing$  10 mm
- Front display
- Counter with 3 decades
- Display can be designed for "mm" or "inch"
- Housing color: orange or black



### Mechanical data

Feature	Technical data	Additional information
Shaft	anodized aluminum (supported in friction bearings)	
Housing	reinforced plastic	
Counter	3 decades	
Digit height	~4 mm	
Weight	~0.02 kg	

### Ambient conditions

Feature	Technical data	Additional information
Ambient temperature	0 ... 80 °C	

## Order

### Ordering information

Display	Mounting position				Counting direction

Hint: Texts highlighted in orange color are ordering features

### Ordering table

Feature	Ordering data	Specification	Additional information
Mounting position	...	<b>A</b> 02, 04, 06, 07	see the icons illustrating the mounting positions
Indication after 1st revolution	...	<b>B</b> 7/5, 10, 100, 12/5, 15, 17/5, 20, 25, 30, 40, 50, 60, 80 others on request	/5 = arithmetical value not displayed
Decimal place	0 1 2	<b>C</b> 0 = 000 1 = 00.0 2 = 0.00	
Counting direction	i e	<b>D</b> clockwise ascending values counter-clockwise ascending values	
Hollow shaft/diameter	10 ...	<b>E</b> ø10 mm RH6, RH8 others on request	reducing bushes
Color	0 S	<b>F</b> orange RAL 2004 black RAL 9005	

### Order key

DK05 -  -  -  -  -  -  -

Scope of delivery: DK05

Accessories:  
Reduction sleeve RH

[www.siko-global.com](http://www.siko-global.com)