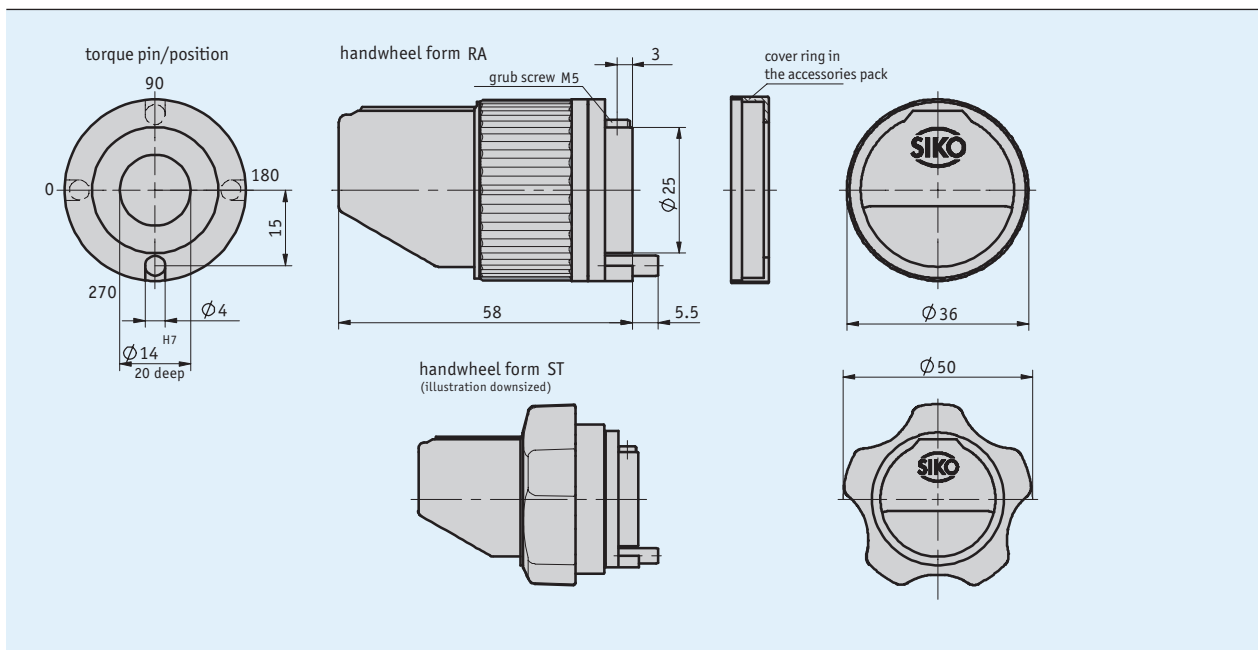


Profile

- Control knob with integrated position indicator
- Shaft support: max. \varnothing 14 mm
- Counter with 4 decades and fine reading
- Various display values
- Star wheel as an option



Mechanical data

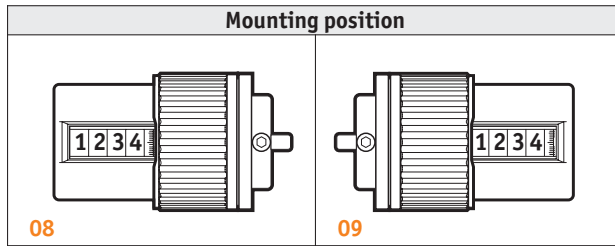
Feature	Technical data	Additional information
Housing	plastic	
Sight window	plastic	mineral glass as an option
Counter	4 decades, fine reading	
Digit height	~6 mm	
Weight	0.06 kg	

Ambient conditions

Feature	Technical data	Additional information
Ambient temperature	0 ... 80 °C	

Order

Ordering information



Hint: Texts highlighted in orange color are ordering features

Ordering table

Feature	Ordering data	Specification	Additional information
Mounting position	08	A	left-side
	09		right-side
Indication after 1st revolution	...	B	12/5, 15, 17/5, 20, 25, 30, 40, 50, 100 others on request
			/5 = arithmetical value not displayed
Decimal place	0	C	0 = 0000
	1		1 = 000.0
	2		2 = 00.00
	3		3 = 0.000
Counting direction	i	D	clockwise ascending values
	e		counter-clockwise ascending values
Hollow shaft/diameter	14	E	ø14 mm
	...		RH8, RH10, RH12
			others on request
Torque pin/position	270	F	see drawing
	0		see drawing
	90		see drawing
	180		see drawing
Handwheel form	RA	G	knurled handle
	ST		star knob
Cover ring	0	H	without cover ring
	M		cover ring supplied

Order key

DK02 - - - - - - - - - -

Scope of delivery: DK02

Accessories:
Reduction sleeve RH

www.siko-global.com