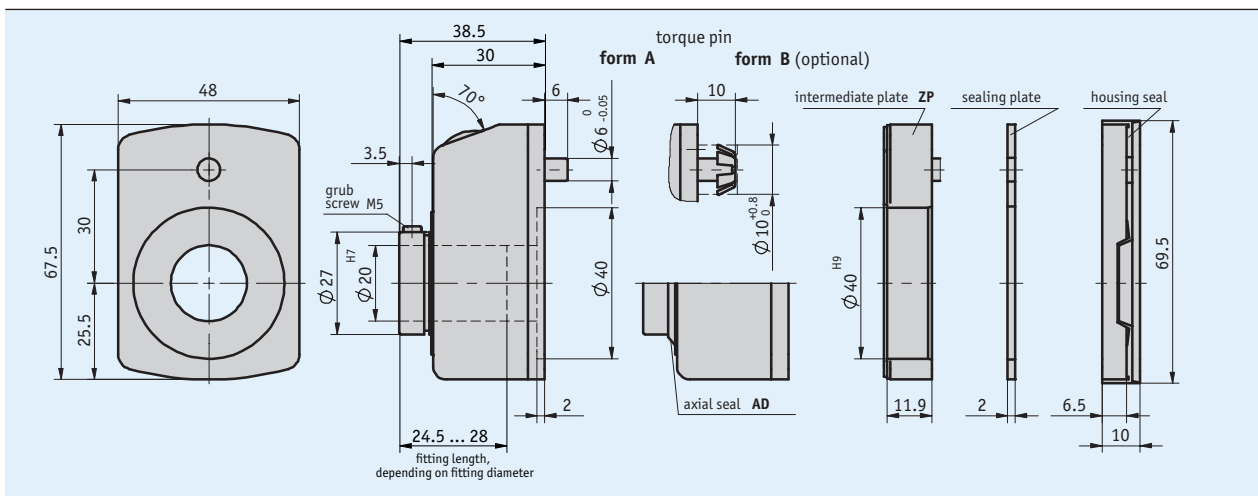


Profile

- Most-used size in slim design
- Hollow shaft, max. Ø 20 mm
- Counter with 5 decades and fine reading
- Display can be designed for "mm" or "inch"
- Magnifying function for good readability
- Stainless-steel driving shaft as an option
- Axial seal, dustproof and splash-proof
- Clamping plate (see accessories)



Mechanical data

Feature	Technical data	Additional information
Housing	reinforced plastic zinc die-cast	MCM housing
Sight window	plastic	mineral glass as an option
Counter	5 decades, fine reading	
Digit height	~7 mm	
Weight	0.1 kg	

■ Max. speed

Display (after 1st revolution)	max. speed [rpm]
00010	500 (1500)
00015	500 (1000)
00020	500 (750)
00025	500 (600)
00030	500
00040	375
00050	300
00060	250
00080	180
00100	150

Formula:

$$\text{max. speed} = \frac{15000}{\text{indication after 1st revolution}}$$

Speeds >500 rpm must only be run for short periods.

Ambient conditions

Feature	Technical data	Additional information
Ambient temperature	0 ... 80 °C	

Order

Ordering information

Display	Mounting position				Counting direction
	02	04	06	07	

Hint: Texts highlighted in orange color are ordering features

Ordering table

Feature	Ordering data	Specification	Additional information
Mounting position	...	A 02, 04, 06, 07	see the icons illustrating the mounting positions
Indication after 1st revolution	...	B 10, 12/5, 15, 15/75, 17/5, 20, 25, 30, 39/375, 40, 50, 60, 78/75, 80, 100 others on request	/5 = arithmetical value not displayed
Decimal place	0	C 0 = 00000	
	1	1 = 0000.0	
	2	2 = 000.00	
	3	3 = 00.000	
	4	4 = 0.0000	
Counting direction	i	D clockwise ascending values	
	e	counter-clockwise ascending values	
Hollow shaft/diameter	20	E ø20 mm	
	...	RH8, RH10, RH12, RH14, RH18	reducing bushes
	...	VA8, VA10, VA14, VA20	stainless steel
Housing	0	F orange RAL 2004	plastic
	S	black RAL 9005	plastic
	GR	gray RAL 7035	plastic
	FR	red RAL 3000	plastic
	MCM	chromatized matt	metal
Seal	OAD	G without axial seal	
	AD	with axial seal	
	GD	with axial and housing seal	sealing plate not applicable
Intermediate plate	OZP	H without intermediate plate	
	ZP	with intermediate plate	not with seal "GD"

Order key

DA09S - A - B - C - D - E - F - A - K - G - H - BP - ORP

Scope of delivery: DA09S

Accessories:

Reduction sleeve RH

Clamping plate KP09

Clamping plate KPL09

Pneumatic clamping plate KP09P

www.siko-global.com

www.siko-global.com

www.siko-global.com

www.siko-global.com