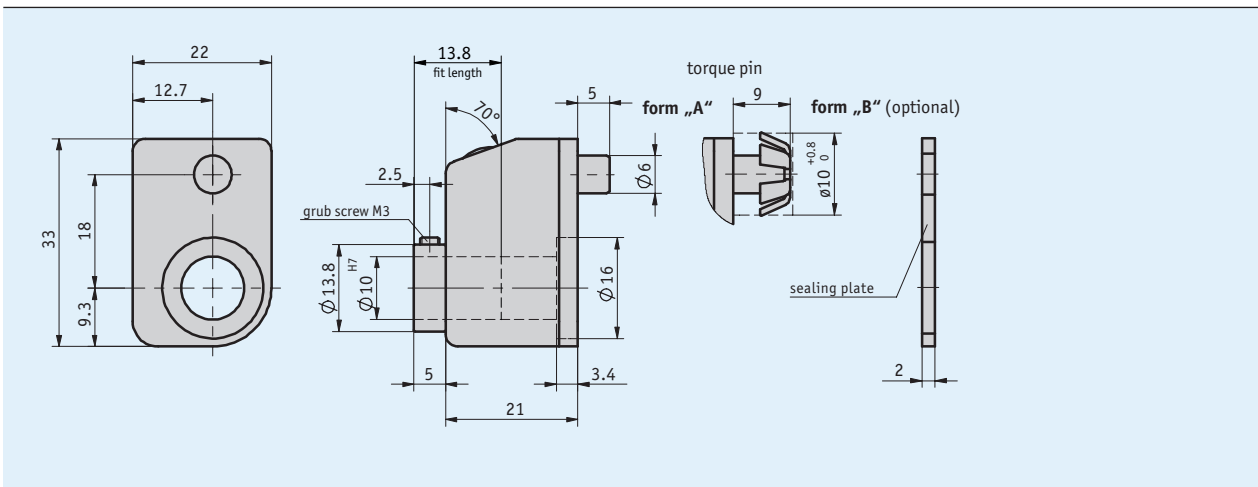


Profile

- Ultra-small design
- Hollow shaft with max. Ø of 10 mm
- Minimum axle base of 19 mm
- Counter can be designed for "mm" or "inch"
- Stainless-steel driving shaft as an option



Mechanical data

Feature	Technical data	Additional information
Housing	reinforced plastic	
Counter	3 decades	
Digit height	~4 mm	
Weight	0.02 kg	

■ Max. speed

Display (after 1st revolution)	max. speed [rpm]
010	500 (1500)
015	500 (1000)
020	500 (750)
025	500 (600)
030	500
040	375
050	300
060	250
080	180
100	150

Formula:

$$\text{max. speed} = \frac{15000}{\text{indication after 1st revolution}}$$

Speeds >500 rpm must only be run for short periods.

Ambient conditions

Feature	Technical data	Additional information
Ambient temperature	0 ... 80 °C	

Order

Ordering information

Display	Mounting position				Counting direction

Hint: Texts highlighted in orange color are ordering features

Ordering table

Feature	Ordering data	Specification	Additional information
Mounting position	...	A 02, 04, 06, 07	see the icons illustrating the mounting positions
Indication after 1st revolution	...	B 7/5, 10, 12/5, 15, 17/5, 20, 25, 30, 40, 50, 60, 80, 100 others on request	/5 = arithmetical value not displayed
Decimal place	0 1 2	C 0 = 000 1 = 00.0 2 = 0.00	
Counting direction	i e	D clockwise ascending values counter-clockwise ascending values	
Hollow shaft/diameter	10 VA10 ...	E ø10 mm ø10 mm RH6, RH7, RH8	stainless steel reducing bushes
Color	0 S	F orange RAL 2004 black RAL 9005	

Order key

DA02 - - - - - - -

Scope of delivery: DA02

Accessories:
Reduction sleeve RH

www.siko-global.com