

southco®

PROPRIETARY ITEM - EXCEPT FOR USES EXPRESSLY GRANTED IN WRITING INFORMATION DISCLOSED HEREON IS CONFIDENTIAL AND ALL RIGHTS PATENT AND OTHERWISE ARE RESERVED BY SOUTHCO, INC.


PACKAGED E2 ACTUATOR

DATE	DRAWN	CHKD	SCALE	DRAWING NUMBER
22MAY2002	NTC	AJH	1:1	J-E2-91-101

REV	DATE	DRAWN/CHKD	DESCRIPTION	ITEM	COMPONENT	PART NUMBER
				E2-91-101	BRACKET	E2-91-101
					BUTTON	

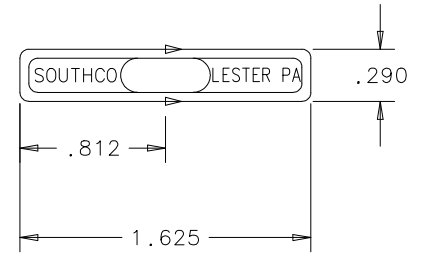
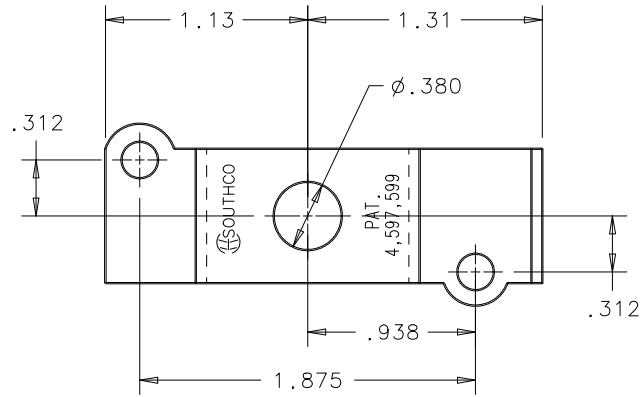
INCHES

ALL DIMENSIONS WITHOUT TOLERANCES ARE FOR REFERENCE ONLY.



THIRD ANGLE PROJECTION

A PAPER SIZE



BUTTON

