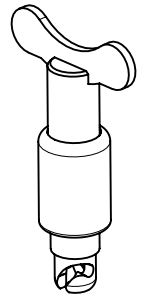
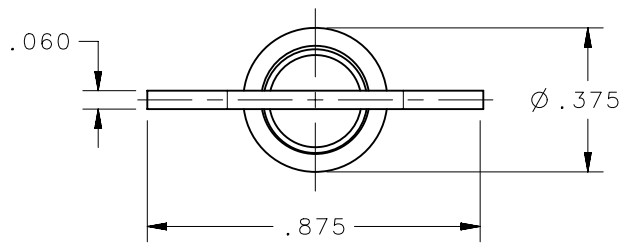
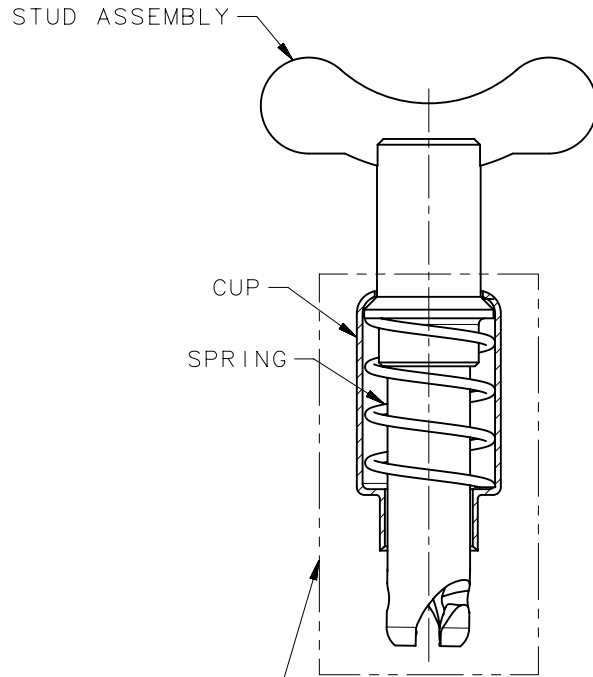


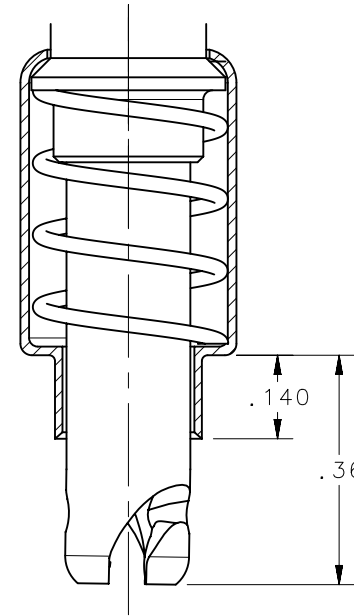
REVISION HISTORY			
REV	DATE	BY	DESCRIPTION
A	14JUN2016	CMS/JW	PRN: P2016-1390



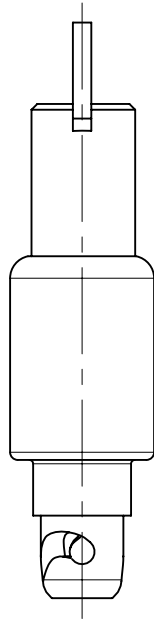
SCALE 1:1



CUP  
SPRING



DETAIL A-A



FOR ASSEMBLY OF  
STUD, SPRING AND CUP,  
SEE DETAIL A-A

NOTES:

MATERIAL - STUD, SPRING AND CUP:  
STAINLESS STEEL

FINISH - ASSEMBLY TO BE CLEAN AND  
FREE OF BURRS.

3501-73-241839-SS	PA35-73X1839SS	D5-PA3573X1839SSNA	SEE NOTE A	SEE NOTE B
DFCI PART NUMBER	DZUS PART NUMBER	SOUTHCO PART NUMBER	MATERIAL	FINISH
THIRD ANGLE PROJECTION		 CONNECT • CREATE • INNOVATE		
INCHES [MM]				
TOLERANCES UNLESS OTHERWISE NOTED		DESCRIPTION LINE STUD ASSEMBLY		
ALL DIMENSIONS WITHOUT TOLERANCES ARE FOR REFERENCE ONLY.		SIZE A	SYSTEM NX	DWG NO. J-D5-PA35X1839NA
<small>PROPRIETARY ITEM EXCEPT FOR USES EXPRESSLY GRANTED IN WRITING, INFORMATION DISCLOSED HEREON IS CONFIDENTIAL AND ALL RIGHTS, PATENT AND OTHERWISE, ARE RESERVED BY SOUTHCO, INC.</small>		DRAWN BY CMS/JW	DATE 14JUN2016	SCALE 1:1
PER ASME Y14.5M-1994		SHEET 1 OF 1		