

6

5

4

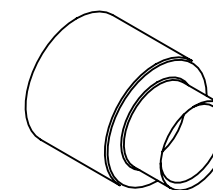
3

2

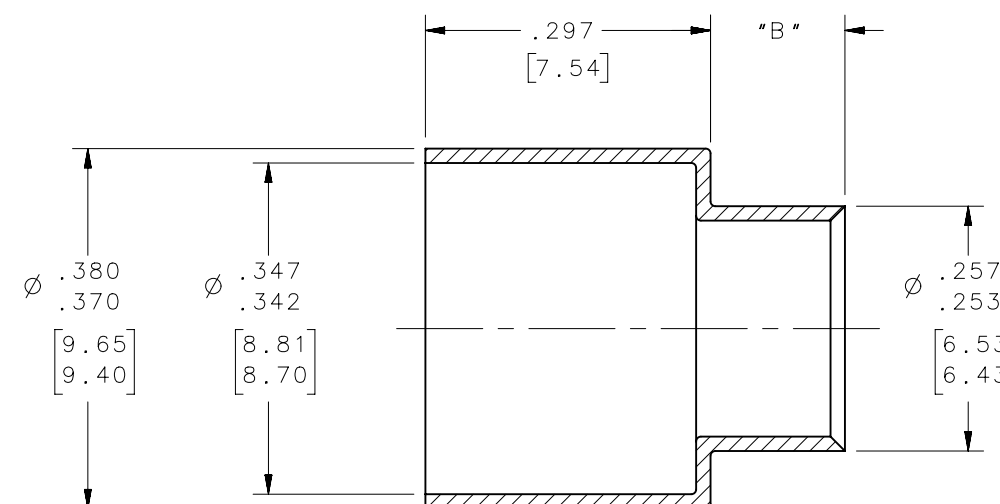
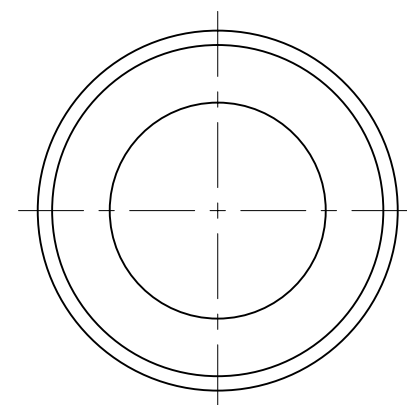
1

REVISION HISTORY			
REV	DATE	BY	DESCRIPTION
B	11DEC2015	CMS/NJF	PRN: P2015-2502

DFCI PART NUMBER	DZUS PART NUMBER	SOUTHCO PART NUMBER	DIM "B"
3503-1-C3Y	PC35-1CBY	D5-PC35-1CBYNA	.090 [2.29]
3503-1-BOC	PC35-1RB	D5-PC35-1RBNA	.090 [2.29]
3503-1-Z3B	PC35-1ZBB	D5-PC35-1ZBBNA	.090 [2.29]
3503-1-Z3CT	PC35-1	D5-PC35-1ZCTNA	.090 [2.29]
3503-2-SS	PC35-2SS	D5-PC35-2SSNA	.100 [2.54]
3503-2-Z3CT	PC35-2	D5-PC35-2ZCTNA	.100 [2.54]
3503-3-BOC	PC35-3RB	D5-PC35-3RBNA	.110 [2.79]
3503-3-C3C	PC35-3CBC	D5-PC35-3CBCNA	.110 [2.79]
3503-3-Z3BT	PC35-3	D5-PC35-3ZBTNA	.110 [2.79]
3503-3-Z3CT	PC35-3	D5-PC35-3ZCTNA	.110 [2.79]
3503-4-BOC	PC35-4RB	D5-PC35-4RBNA	.120 [3.05]
3503-4-C3Y	PC35-4CBY	D5-PC35-4CBYNA	.120 [3.05]
3503-4-Z3CT	PC35-4	D5-PC35-4ZCTNA	.120 [3.05]
3503-5-BOC	PC35-5RB	D5-PC35-5RBNA	.130 [3.30]
3503-5-Z3BT	PC35-5	D5-PC35-5ZBTNA	.130 [3.30]
3503-5-Z3CT	PC35-5	D5-PC35-5ZCTNA	.130 [3.30]
3503-6-BOC	PC35-6RB	D5-PC35-6RBNA	.140 [3.56]
3503-6-K3B	PC35-6KBB	D5-PC35-6KBBNA	.140 [3.56]
3503-6-Z3BT	PC35-6	D5-PC35-6ZBTNA	.140 [3.56]
3503-6-Z3CT	PC35-6	D5-PC35-6ZCTNA	.140 [3.56]
3503-7-C3Y	PC35-7CBY	D5-PC35-7CBYNA	.070 [1.78]
3503-7-Z3CT	PC35-7	D5-PC35-7ZCTNA	.070 [1.78]
3503-BOC	PC35RB	D5-PC35RBNA	.080 [2.03]
3503-C3C	PC35CBC	D5-PC35CBCNA	.080 [2.03]
3503-C3Y	PC35CBY	D5-PC35CBYNA	.080 [2.03]
3503-K3B	PC35KBB	D5-PC35KBBNA	.080 [2.03]
3503-SS	PC35SS	D5-PC35SSNA	.080 [2.03]
3503-Z3B	PC35ZBB	D5-PC35ZBBNA	.080 [2.03]
3503-Z3BT	PC35	D5-PC35ZBTNA	.080 [2.03]
3503-Z3CT	PC35	D5-PC35ZCTNA	.080 [2.03]
3503-Z3YT	PC35ZYT	D5-PC35ZYTNA	.080 [2.03]



SCALE 2:1



SOUTHCO PART NUMBER D5-PC35-6RBNA SHOWN

NOTES:

- SEE DRAWING J-D5-0-3 FOR (YY) FINISH INFORMATION.

D5-PC35SSNA	STAINLESS STEEL	PASSIVATED
D5-PC35YNA	STEEL	SEE NOTE 1
SOUTHCO PART NUMBER	MATERIAL	FINISH
THIRD ANGLE PROJECTION		 CONNECT • CREATE • INNOVATE
CAGE CODE 72794	INCHES [MM]	
SURFACE AREA 1.005 in ²	TOLERANCES UNLESS OTHERWISE NOTED	DESCRIPTION CUP
VOLUME .007 in ³	ALL DIMENSIONS WITHOUT TOLERANCES ARE FOR REFERENCE ONLY.	SIZE B SYSTEM NX DWG NO. J-D5-PC35-1NA
PROPRIETARY ITEM		PER ASME Y14.5M-1994
EXCEPT FOR USES EXPRESSLY GRANTED IN WRITING, INFORMATION DISCLOSED HEREON IS CONFIDENTIAL AND ALL RIGHTS, PATENT AND OTHERWISE, ARE RESERVED BY SOUTHCO, INC.		

6

5

4

3

2

1