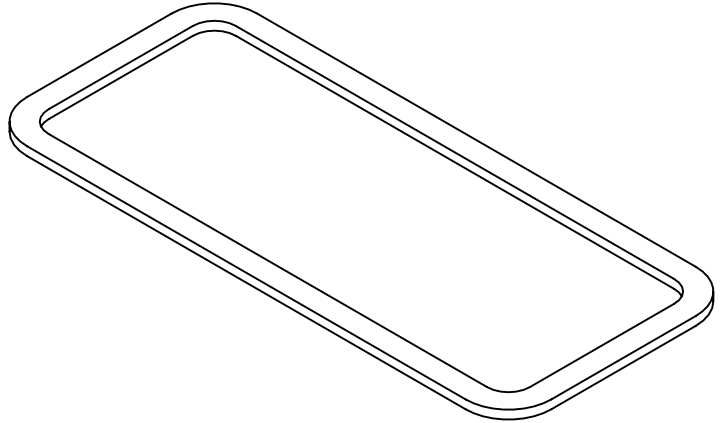
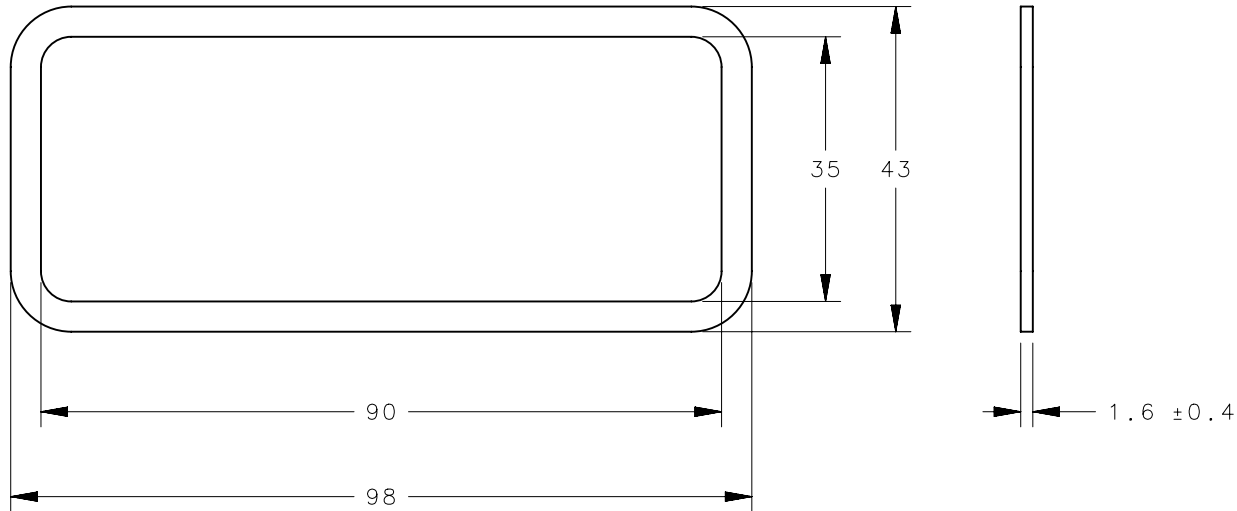
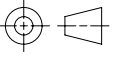



REVISION HISTORY			
REV	DATE	BY	DESCRIPTION
A	24JAN2011	ACH	PRN: P2011-0109



C5-84	GASKET	URETHANE-PORON 4701-50	BLACK	UL 94 HBF APPROVED UL 50/50E APPROVED
C5-83	GASKET	NEOPRENE UL94 V0 (65 DURO)	BLACK	
C5-82	GASKET	NEOPRENE (40 DURO)	BLACK	
PART NUMBER	TYPE OF COMPONENT	MATERIAL	COLOR	

		THIRD ANGLE PROJECTION 		 CONNECT • CREATE • INNOVATE	
		MILLIMETERS [IN]			
SURFACE AREA XXXXXmm ²		TOLERANCES UNLESS OTHERWISE NOTED		DESCRIPTION No. C5 ENVIRONMENTAL FLANGE GASKET	
VOLUME XXXXXmm ³		ALL DIMENSIONS WITHOUT TOLERANCES ARE FOR REFERENCE ONLY.		SIZE A4	SYSTEM NX
<small>PROPRIETARY ITEM EXCEPT FOR USES EXPRESSLY GRANTED IN WRITING, INFORMATION DISCLOSED HEREON IS CONFIDENTIAL AND ALL RIGHTS, PATENT AND OTHERWISE, ARE RESERVED BY SOUTHCO, INC.</small>		PER ASME Y14.5M-1994		DWG NO. J-C5-82	
		DRAWN BY JSS	DATE 19NOV1995	SCALE 1:1	SHEET 1 OF 1